

MODEL : LK-1900B Series
List No : 1653-04

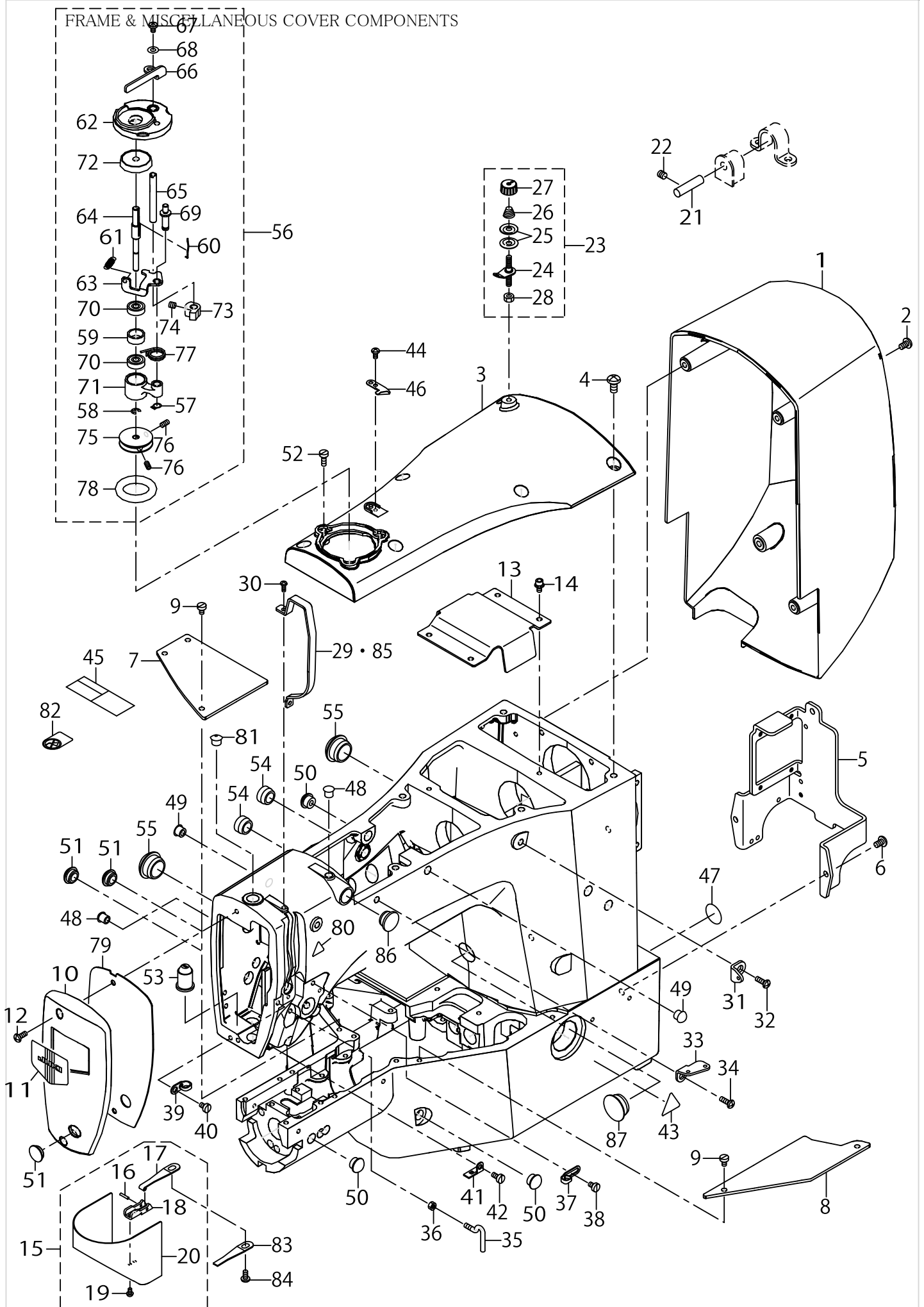
PARTS LIST

Published:08/22/2016

CONTENTS

FRAME & MISCELLANEOUS COVER COMPONENTS	1
MAIN SHAFT & NEEDLE BAR COMPONENTS	5
PRESSER LIFTER & WIPER COMPONENTS	9
SHUTTLE DRIVER SHAFT COMPONENTS.....	11
THREAD TENSION COMPONENTS	15
THREAD TRIMMER MECHANISM COMPONENTS.....	17
FEED MECHANISM COMPONENTS.....	19
TC CLAMP COMPONENTS	23
SENSOR COMPONENTS	25
THREAD STAND COMPONENTS.....	27
TABLE STAND COMPONENTS (JT-K46).....	29
CONTROL BOX COMPONENTS	31
OPERATION PANEL COMPONENTS	35
WIRING DIAGRAM.....	37
ACCESSORIE PARTS COMPONENTS.....	39
EXCLUSIVE PARTS FOR LK-1901BS (1)	41
EXCLUSIVE PARTS FOR LK-1901BS (2)	43
EXCLUSIVE PARTS FOR LK-1902BS,LK-1902BH.....	45
EXCLUSIVE PARTS FOR LK-1903BS-301,LK-1903BS-302(1).....	49
EXCLUSIVE PARTS FOR LK-1903BS-301,LK-1903BS-302(2).....	51
EXCLUSIVE PARTS FOR LK-1903B-BS-301,LK-1900B-BS,LK-1900B-BF(1)	55
EXCLUSIVE PARTS FOR LK-1903B-BS-301,LK-1900B-BS,LK-1900B-BF(2)	57
EXCLUSIVE PARTS FOR LK-1903B-BS-301,LK-1900B-BS,LK-1900B-BF(3)	59
EXCLUSIVE PARTS FOR LK-1903B-BS-301,LK-1900B-BS,LK-1900B-BF(4)	61
AIR COMPONENTS	63
ACCESSORIE PARTS FOR LK-1900B SUBCLASSES.....	65
OPTION COMPONENTS (1)	67
OPTION COMPONENTS (2) (FOR LK-1902B,LK-1903B).....	71
OPTION COMPONENTS (3) (FOR LK-1903B SHANK BUTTON).....	73
LIST FOR INFORMATION OF CHANGE (1).....	75

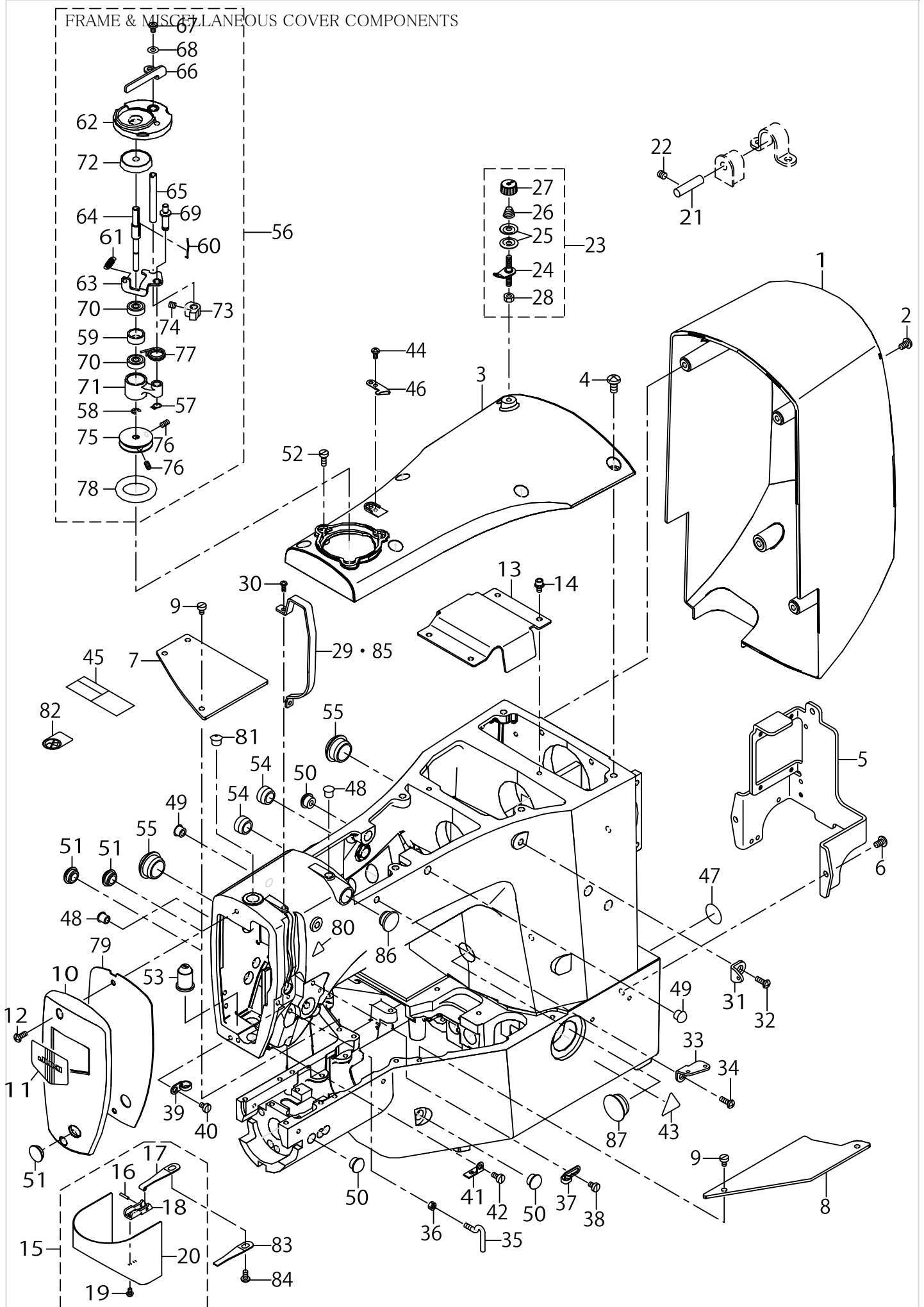
FRAME & MISCELLANEOUS COVER COMPONENTS



FRAME & MISCELLANEOUS COVER COMPONENTS

No.	C- ons	Le- vel	Parts No.	Replacement	Supply Code	Parts name	Qty	R- ep. Q- TY	Status	Spec	Remarks
1			40006475			MOTOR COVER	1				
2			SM5040855SN			SCREW	4				
3			40006478			UPSIDE COVER	1				
4			SM4061255SP			SCREW M6 L=12	6				
5			40010404			PROTECTION_PLATE	1				
6			SM4050855SP			SCREW	3				
7			40006487			BED COVER LEFT	1				
8			40006488			BED COVER RIGHT	1				
9			SM6040650TP			SCREW M4 L=6	5				
10			40006481			FACE COVER	1				
11			22902506			FACE PLATE	1				
12			SM4041055SP			SCREW	2				
13			40010405			CRANK_ROD_COVER	1				
14			SL6040892TN			BOLT	2				
15			40142674			CYLINDER_ARM_CAP_ASM.	1				
16		*	13508700			HOOK COVER PRESSER SF	1				
17		*	26221101			HOOK COVER PRESSER SF	1				
18		*	40142677	40142674		CYLINDER_ARM_CAP_PLAT	1	1.00	選択部品		
18		*	40142677	40146832		CYLINDER_ARM_CAP_PLAT	1	1.00	選択部品	LK1903B-BS-30	
19		*	SM3030552TN			SCREW M3 L=5	2				
20		*	40142675			CYLINDER_ARM_CAP	1				
21			40009290			HINGE STUD	2				
22			SM8060612TP			SCREW M6 L=6	4				
23			14113468			BOBBIN_THREAD_TENSION	1				
24		*	14113450			BOBBIN_THREAD_TENSION	1				
25		*	B3126012000	22921506		THREAD_TENSION_DISK	2	1.00			
26		*	D7133555B00			CONNECTING ROD SPRINC	1				
27		*	11072402			THREAD_TENSION_NUT	1				
28		*	NS6110310SP			NUT 11/64-40	1				
29			40030828			THREAD_TAKE_UP_LEVER	1				EXCEPT LK-190
30			SM4030855SN			SCREW M3 L=8.0	2				
31			40010414			THREAD_GUIDE_NO.1	1				
32			SM4061255SP			SCREW M6 L=12	1				
33			26211904			THREAD GUIDE PLATE	1				
34			SM4061255SP			SCREW M6 L=12	1				
35			40010571			L_SHAPED_THREAD_GUIDE	1				
36			NM6040000SN			NUT M4	1				
37			22920508			ARM_THREAD_GUIDE_A	1				
38			SM6040650TP			SCREW M4 L=6	1				
39			13705108			TAKE-UP_THREAD_GUIDE	1				
40			SM6040650TP			SCREW	1				
41			B1129210000			FRAME_THREAD_GUIDE(B	1				
42			SM6040860TP			SCREW M4 L=8	1				
43			CM300200002			CAUTION_LABEL(25)	1				
44			SM4030601SN			SCREW M3 L=6	1				
45			40102261			SAFETY_LABEL_S	1				
46			10502300			THREAD CUTTER	1				
47			22901805			GROUND MARK	1				
48			TA0750704R0			RUBBER PLUG	2				
49			TA0850604R0			RUBBER PLUG	2				
50			TA1050504R0			RUBBER PLUG	3				
51			TA1250406R0			RUBBER PLUG D=12.5 L=4	3				
52			SM6041150TP			SCREW M4 L=11	3				
53			13509807			OIL SHIELD CAP	1				
54			TA1550902R0			PLUG	2				
55			TA2100904R0			RUBBER PLUG	2				
56			40142740			BOBBIN_WINDER_UNIT	1				
57		*	RC0560711KP			RETAINING RING	1				
58		*	RE0400000K0			E-RING 4	1				
59		*	26260802	26260000		BTW BEARING SPACER	1	1.00			

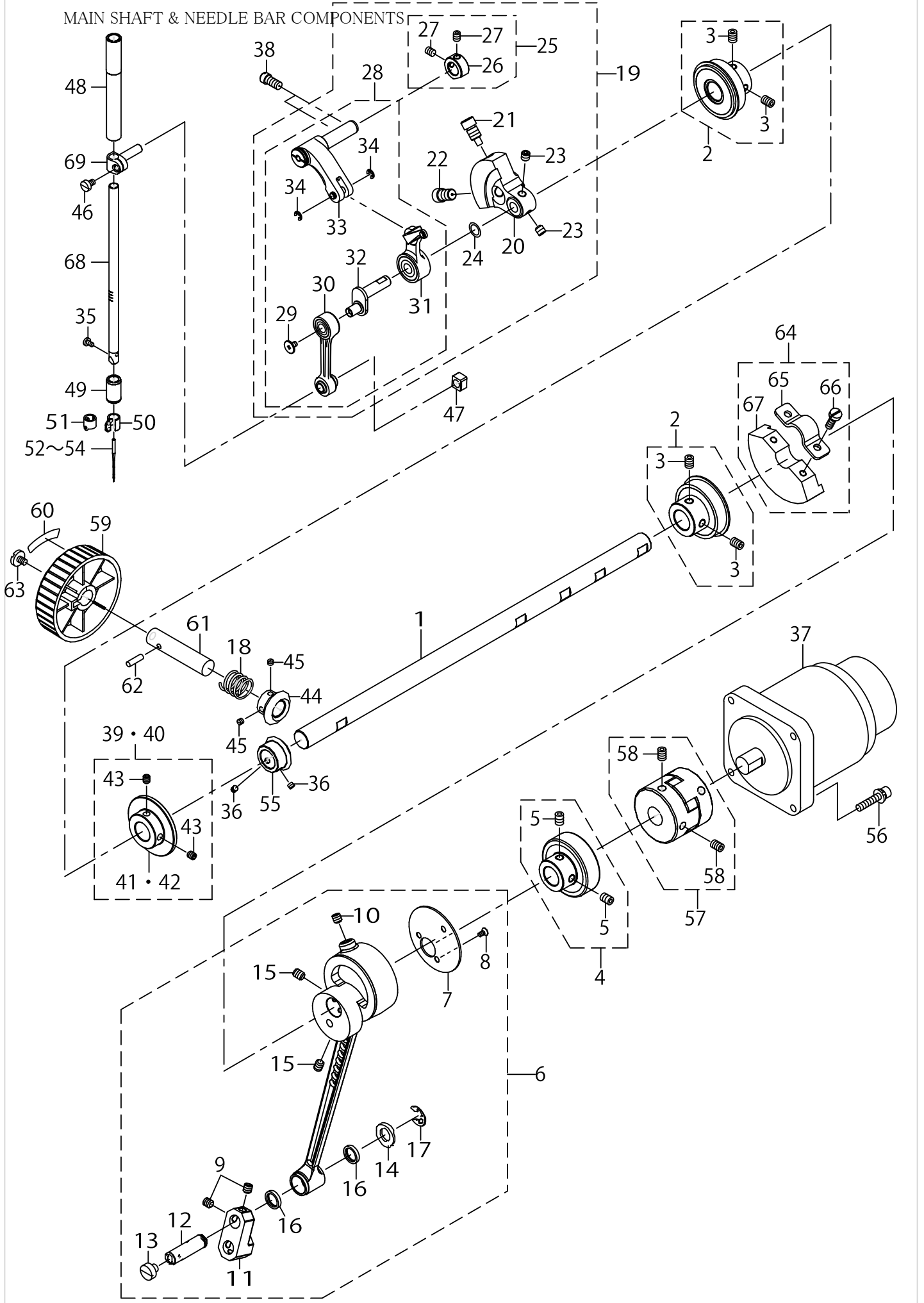
FRAME & MISCELLANEOUS COVER COMPONENTS



FRAME & MISCELLANEOUS COVER COMPONENTS

No.	C- ons	Le- vel	Parts No.	Replacement	Supply Code	Parts name	Qty	R- ep. Q- TY	Status	Spec	Remarks
60		*	26261602			BOBBIN SPRING	1				
61		*	26261701			BTW SPRING	1				
62		*	26260109	26260000		BTW BASE	1	1.00			
63		*	26260208			BTW CAM PLATE	1				
64		*	26260901			BTW SHAFT	1				
65		*	26261008			BTW LEVER SHAFT	1				
66		*	26261107			BTW LEVER	1				
67		*	SM5040655SN			SCREW	1				
68		*	WP0450826SC			WASHER 4.5X10X0.8	1				
69		*	26260307			BTW BASE SHAFT	1				
70		*	26261305	26260000		BTW BEARING	2	1.00			
71		*	40142773	40142740		BTW_SHAFT_BASE	1	1.00			
72		*	26261206			BTW SPACER	1				
73		*	26260505			BTW CAM LEVER	1				
74		*	SM8050502TP			SCREW M5 L=5	1				
75		*	26260604			BTW WHEEL	1				
76		*	SM8040802TP			SCREW M4X8	2				
77		*	26260703			BTW TORSION SPRING	1				
78	☆	*	26261503			BTW WHEEL RUBBER	1				
79		*	40142812			FACE_COVER_CUSHION	1				
80			CM300200001			ATTENTION SEAL	1				
81			22901409			NEEDLE BAR UPPER BUSH	1				
82			CM100100001			OIL INJECTION PROHIBITI	1				
83	☆		26221200			HOOK COVER PRESSER SF	1				
84			SM5040855SN			SCREW	1				
85			40144258			THREAD_TAKE_UP_LEVER_1	1				FOR LK-1903B
86			TA1470704R0			RUBBER PLUG	1				
87			TA2100904R0			RUBBER PLUG	1				FOR LK-1901B,

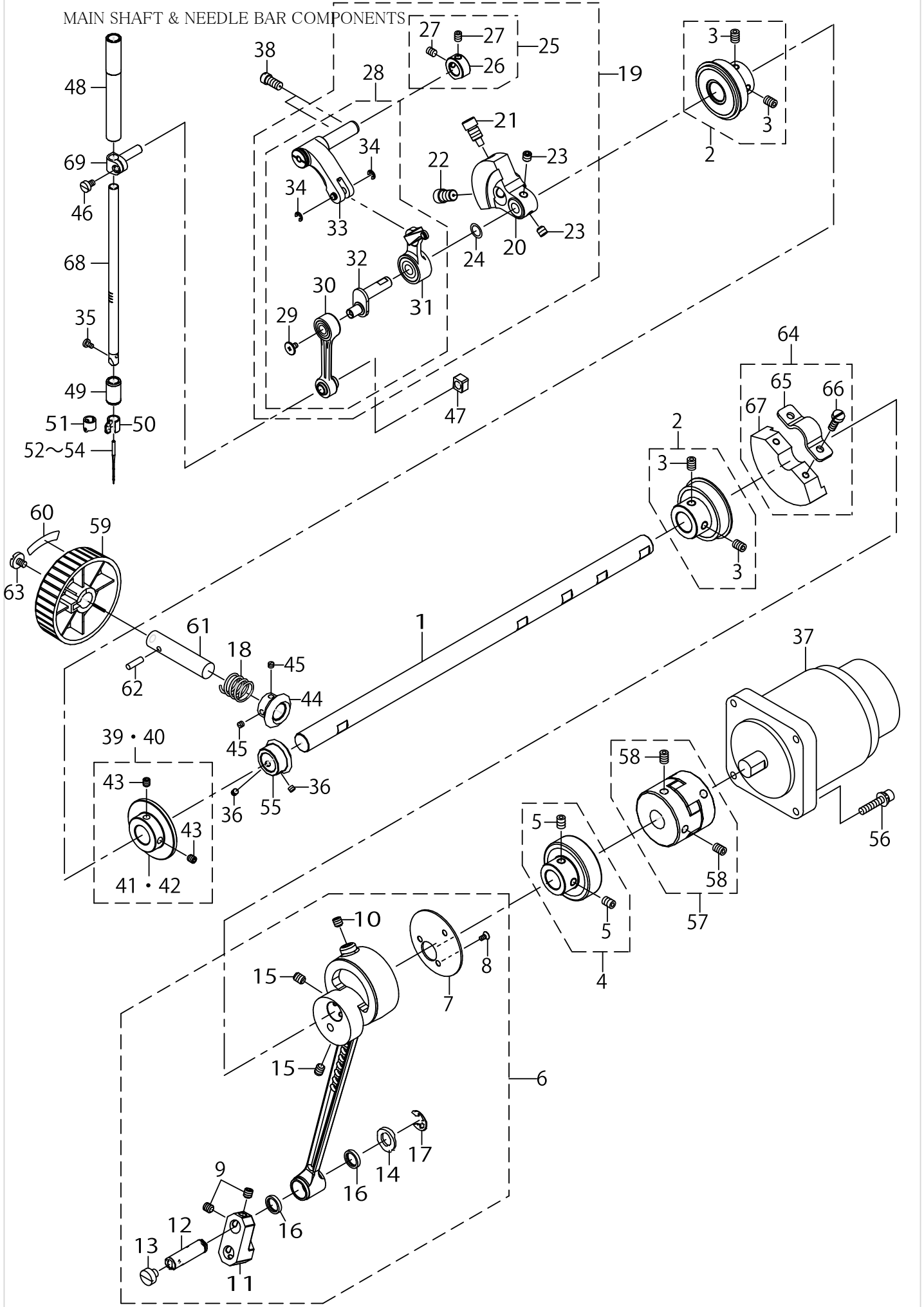
MAIN SHAFT & NEEDLE BAR COMPONENTS



MAIN SHAFT & NEEDLE BAR COMPONENTS

No.	C- ons	Le- vel	Parts No.	Replacement	Supply Code	Parts name	Qty	R- ep. Q- TY	Status	Spec	Remarks
1			40142678			MAIN_SHAFT	1				
2			40142685			FRONT_BEARING	2				
3		*	40010417			BEARING_BUSH_SCREW	4				
4			40142686			BACK_BEARING	1				
5		*	SM8480652TP			SCREW	2				
6			40112990			CRANK_ROD_ALL_ASM.	1				
7		*	40110825			CRANK_ROD_SUPPORT_PLA	1				
8		*	SM1030601SP			SCREW M3 L=6	3				
9		*	SM8480652TP			SCREW	2				
10		*	SM8480652TP			SCREW	1				
11		*	40112993			OSCILLATOR_ARM	1				
12		*	40030939	40031136		OSCILLATOR_PIN	1	1.00			
13		*	SM6060550TP			SCREW M6 L=4.5	1				
14		*	40026818			WASHER	1				
15		*	SM8060812TP			SCREW M6 L=8	2				
16		*	10108009			OIL SEAL	2				
17		*	RE0800000K0			E-SHAPED SNAP RING (8M	1				
18			GAF01007000			SPRING	1				
19			40142689			COUNTER_WEIGHT_COMPI	1				
20		*	40142691			COUNTER_WEIGHT	1				
21		*	40010424			COUNTER_WEIGHT_SCREW	1				
22		*	40010425			COUNTER_WEIGHT_SCREW	1				
23		*	40010426			COUNTER_WEIGHT_SCREW	2				
24		*	WP0820516SP			WASHER 11.6X8.2X0.6	1				
25		*	40110841			THRUST_COLLAR_ASM.	1				
26		*	40110842			THRUST_COLLAR	1				
27		*	SM80506A2TP			SCREW M5 L=6	2				
28		*	40142692	40142689		THREAD_TAKE_UP_COMPL	1	1.00			
29		*	40142701	40142689		LEFT_HAND_SCREW	1	1.00			
30		*	40142697	40142785		NEEDLE_BAR_CRANK_ROD.	1	1.00	選択部品	LK1903B	
30		*	40142697	40142689		NEEDLE_BAR_CRANK_ROD.	1	1.00	選択部品	LK1900B	
31		*	40142693	40142689		THREAD_TAKE_UP_ASM.	1	1.00			
32		*	40142696			NEEDLE_BAR_CRANK	1				
33		*	40142806	40142689		TAKE_UP_CRANK_ASM.	1	1.00			
34		*	RE0300000K0			E-RING 3	2				
35	☆		SM7030550TP			SCREW M3 L=4.5	1				
36			SM8040310SS			SCREW M4 L=3	2				
37			40138137			IPM550W MOTOR	1				
38			40010470			SHUTTLE_ASM_SCREW	2				
39			40136292			BTW_DRIVING_WHEEL_ASM	1				EXCEPT LK-190
40			40144697			BTW_DRIVING_WHEEL 03 A	1				FOR LK-1903B
41		*	40136293			BTW_DRIVING_WHEEL	1				EXCEPT LK-190
42		*	40144696			BTW_DRIVING_WHEEL	1				FOR LK-1903B
43		*	SM80506A2TP			SCREW M5 L=6	2				
44			40006516			GEAR B	1				
45			SM8040310SS			SCREW M4 L=3	2				
46			SS6090670TP			SCREW 9/64-40 L=6	1				
47			40090058			SLIDE BLOCK	1				
48			40142705			NEEDLE_BAR_METAL	1				
49			40142706			NEEDLE_BAR_LOWER_MET.	1				
50	☆		40010574			THREAD_GUIDE	1				EXCEPT LK-190
51	☆		D1405L7AM00			NEEDLE BAR THREAD GUI	1				FOR LK-1900BF
52	☆		MDP500B1100			NEEDLE DPX5 #11	1				FOR LK-1900BF
53	☆		MDP500B1400			NEEDLE DPX5 #14	1				FOR LK-1900BS
54	☆		MDP170B2100			NEEDLE DPX17 #21	1				FOR LK-1900BF
55			40006515			GEAR A	1				
56			SL6052592TN			BOLT	4				
57			40142681			COUPLING_ASM.	1				
58		*	SM80608A2TP			SCREW M6 L=8	4				
59			B1212210D00			PULLEY	1				

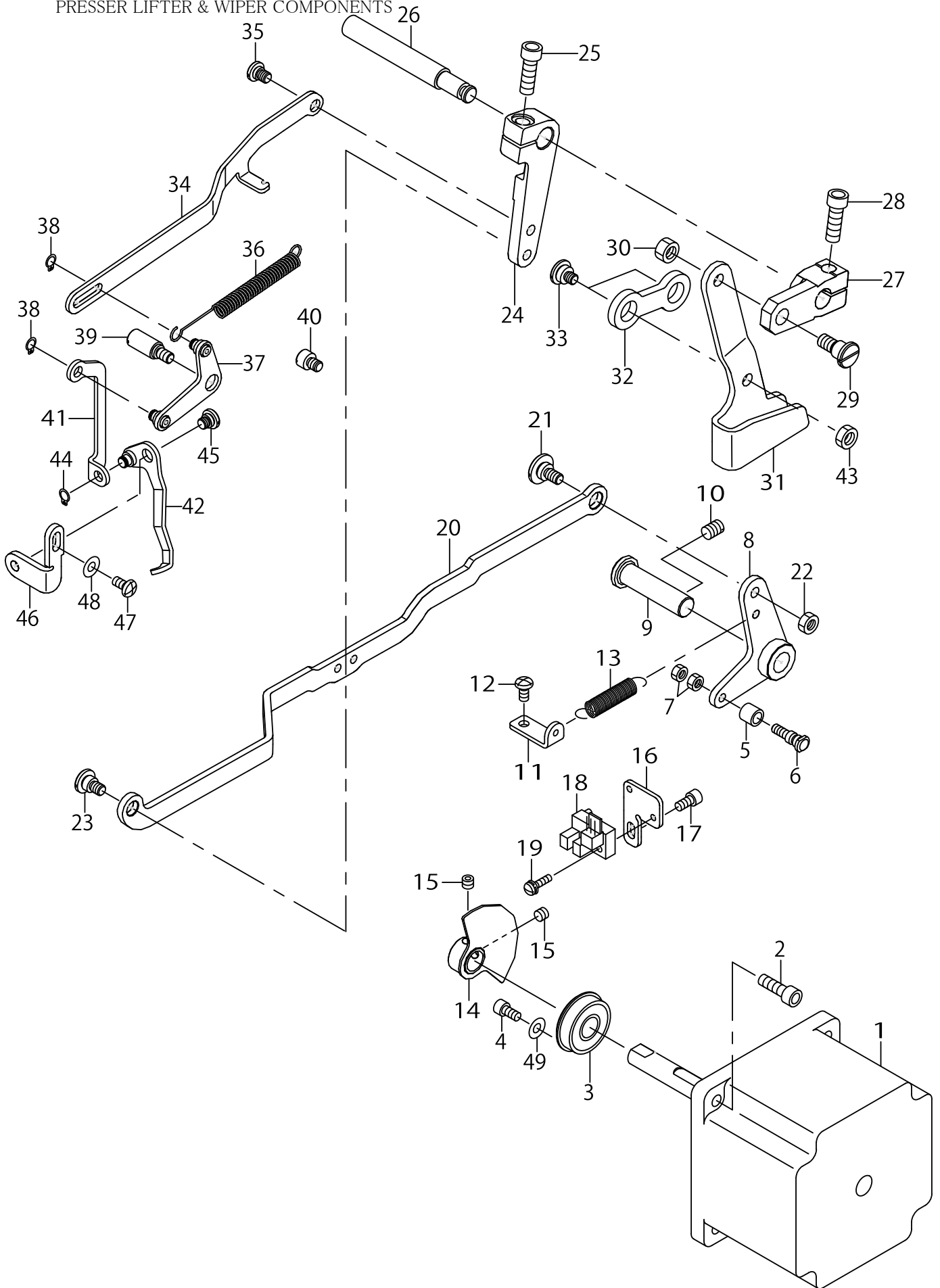
MAIN SHAFT & NEEDLE BAR COMPONENTS



MAIN SHAFT & NEEDLE BAR COMPONENTS

No.	C- ons	Le- vel	Parts No.	Replacement	Supply Code	Parts name	Qty	R- ep. Q- TY	Status	Spec	Remarks
60			B1144210000			REVOLVING DIRECTION L	1				
61			26500306			HAND PULLEY SHAFT	1				
62			PS0400142KH			SPRING PIN 4X14	1				
63			A123050000A		Disconinue	SET-SCREW	1				
64			40110812			CRANK_BALANCER_ASM.	1				
65		*	40010439			CRANK_BALANCER_FIX_PL.	1				
66		*	40010440			CRANK_BALANCER_FIX_PL.	2				
67		*	40110813			CRANK_BALANCER	1				
68			40142704			NEEDLE_BAR	1				
69			B1411552000	B14115520A0		NEEDLE BAR CLAMP	1	1.00			

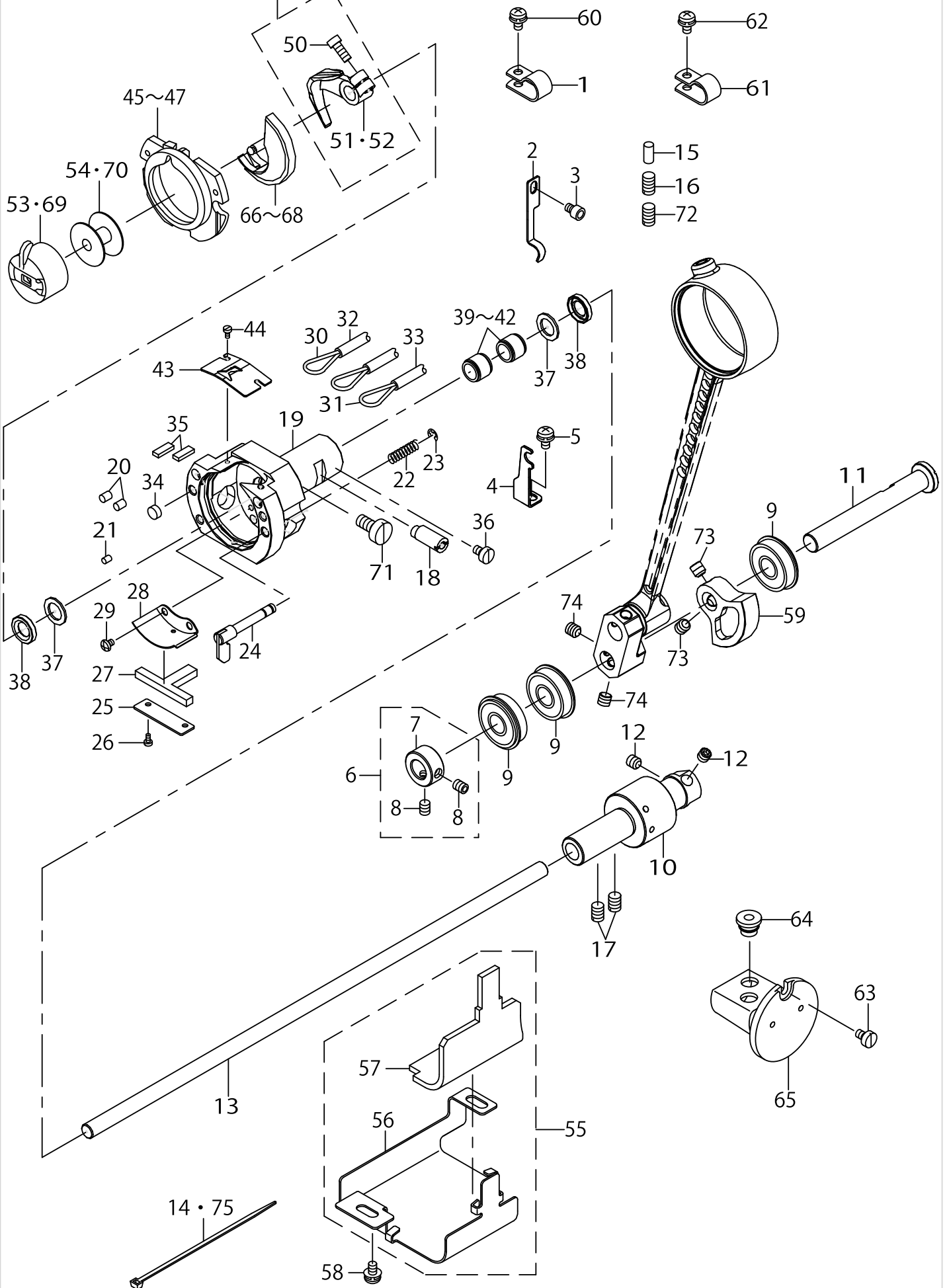
PRESSER LIFTER & WIPER COMPONENTS



PRESSER LIFTER & WIPER COMPONENTS

No.	C- ons	Le- vel	Parts No.	Replacement	Supply Code	Parts name	Qty	R- ep. Q- TY	Status	Spec	Remarks
1			40139178			PRESSER LIFTING MOTOR	1				
2			SM6051602TP			SCREW M5X0.8 L=16	4				
3			SB110002400			BEARING	1				
4			SM6040802TP			SCREW M4X0.7 L=8	1				
5			40004254			UTT_CAM_ROLLER	1				
6			40040256			CAM ROLLER SHAFT	1				
7			NM6040001SP			NUT M4X0.7	2				
8			40006661			LIFTER LINK A ASM.	1				
9			40006716			THREAD TRIMMER SHAFT	1				
10			SM8060812TP			SCREW M6 L=8	1				
11			40023831			SPRING_RACK	1				
12			SM4040855SP			SCREW	1				
13			26226209			SPRING	1				
14			40006666			SENSOR SLIT ASM.	1				
15			SM8050402TP			SCREW	2				
16			40010443			SENSOR_INSTALLING_BASE	1				
17			SM6040802TP			SCREW M4X0.7 L=8	1				
18			HD00057000A			PHOTO SENSOR	1				
19			SL4031291SC			SCREW M3X12	1				
20			40006665			LIFTER LINK B	1				
21			SD0800327TP			HINGE SCREW D=8 H=3.2	1				
22			NM6050001SP			NUT M5	1				
23			SD0700406TP			HINGE SCREW D=7 H=4	1				
24			40006671			CONNECTING ARM	1				
25			SM6061802TP			SCREW M6 L=18	1				
26			40083882			CONNECTING SHAFT	1				
27			40008693			LOWERING ARM	1				
28			SM6061802TP			SCREW M6 L=18	1				
29			SD0790606TP			HINGE SCREW D=7.94 H=6	1				
30			NM6060001CP			NUT M6	1				
31			40010450			LOWERING_FOOT	1				
32			14104400			CONNECTING LINK	1				
33			SD1000406TP			HINGE SCREW D=10 H=4	2				
34			40010460			WIPER CONNECTING LINK	1				
35			SD0600206TP			HINGE SCREW D=6 H=2	1				
36			26218008			SPRING	1				
37			40010451			WIPER_CONNECTING_ARM	1				
38			RC0470611KP			RETAINING RING 4.7	2				
39			40010455			WIPER_CONNECTING_LINK	1				
40			40010457			WIPER_STOPPER	1				
41			40010458			WIPER_CONNECTING_PLA1	1				
42			40017202			WIPER C ASM.	1				
43			NM6060003SC			NUT M6	1				
44	☆		RC0470611KP			RETAINING RING 4.7	1				
45			SD0640216TP			HINGE SCREW D=6.35 H=2.	1				
46			40006678			WIPER BASE PLATE	1				
47			SM4040855SP			SCREW	1				
48			WP0450801SP			WASHER	1				
49			WP0450801SP			WASHER	1				

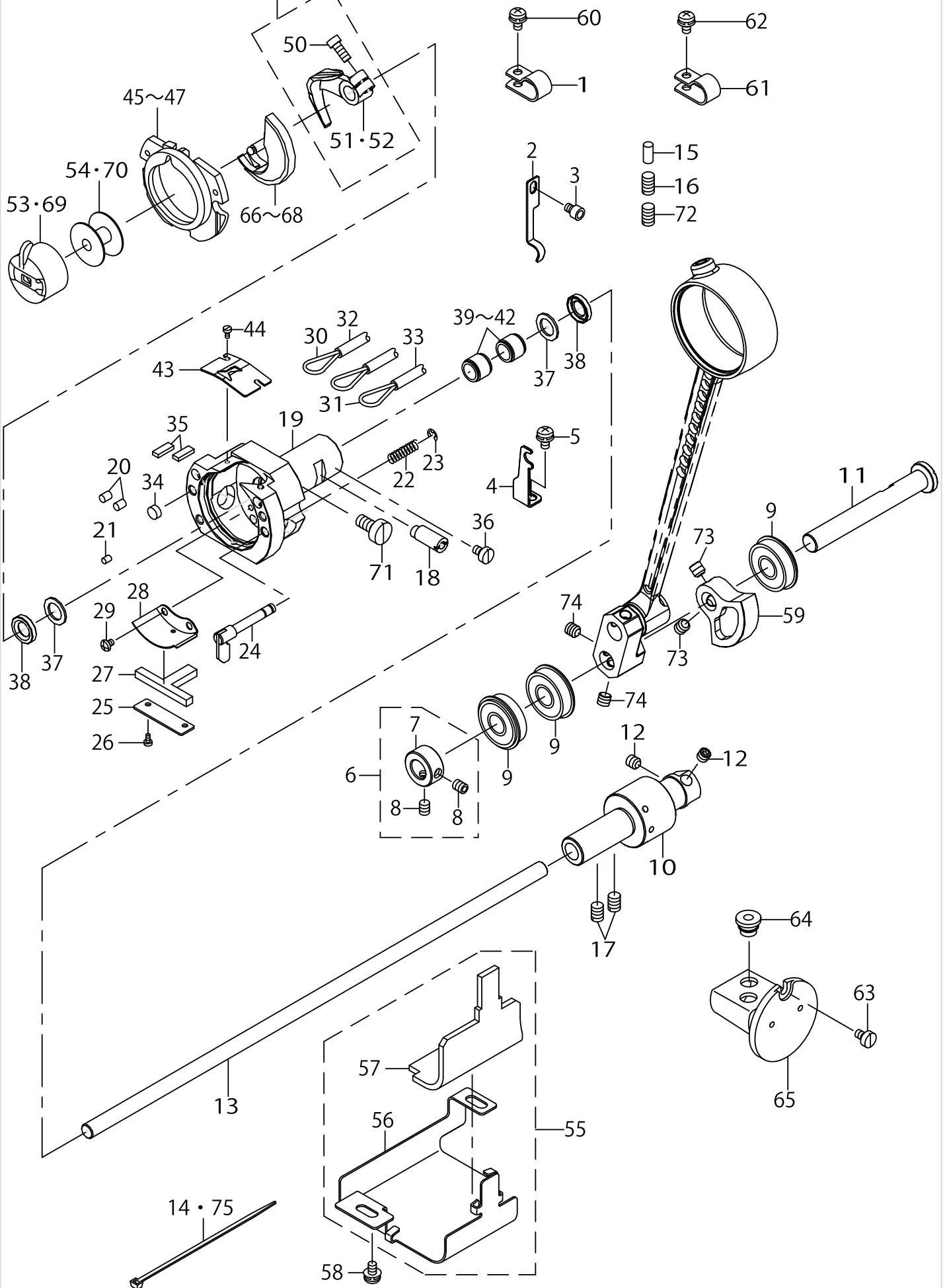
SHUTTLE DRIVER SHAFT COMPONENTS



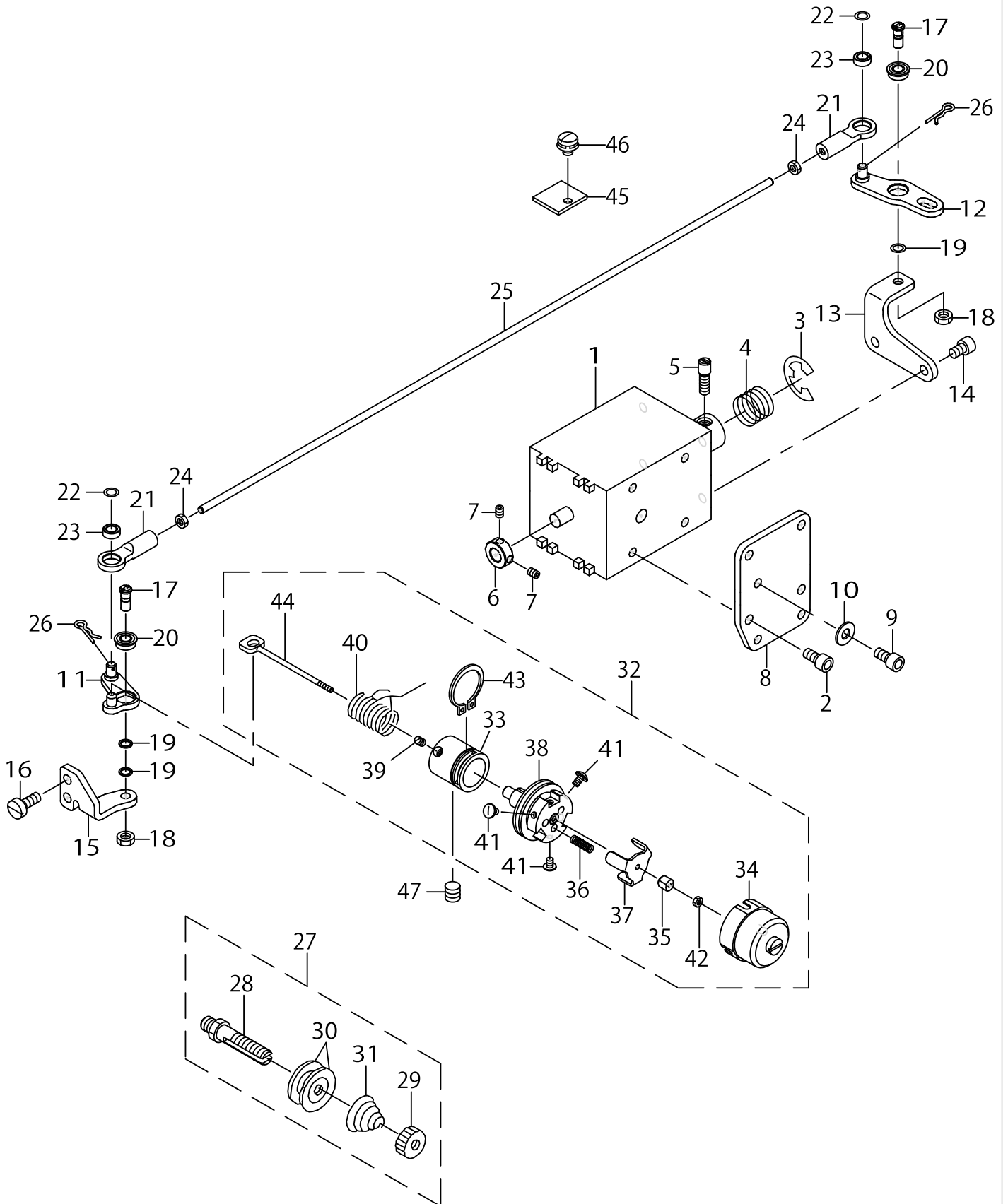
SHUTTLE DRIVER SHAFT COMPONENTS

No.	C- ons	Le- vel	Parts No.	Replacement	Supply Code	Parts name	Qty	R- ep- Q- TY	Status	Spec	Remarks
1			HX00150000D			CABLE CLIP	1				
2			40012127			OIL_PIPE_HOLDER	1				
3			SM6040502TP			SCREW M4X0.7 L=5	1				
4			40013721			TUBE_CLAMP	1				
5			SL4040891SC			SCREW M4 L=8	1				
6			40010464			THRUST_COLLAR_ASM.	1				
7		*	40010467	40010464		THRUST_COLLAR	1	1.00			
8		*	40010469			THRUST_COLLAR_SCREW	2				
9			SB110002400			BEARING	3				
10			40110830			LOWER_SHAFT_GEAR_ASM	1				
11			40112994			OSCILLATOR_SHAFT	1				
12			SM8060612TP			SCREW M6 L=6	2				
13			40010575			LOWER_SHAFT	1				
14			EA9500B0100			CABLE_BAND	1				
15			40006578			OIL_WICK_PRESSER	1				
16			SM8061010TP			SCREW	1				
17			SM8060812TP			SCREW M6 L=8	2				
18			40010471			SHUTTLE_RACE_ADJUSTIN	1				
19			40089365			SHUTTLE	1				
20	☆		B1820210D00			SHUTTLE OIL FELT A	2				
21	☆		B1821210D00			SHUTTLE OIL FELT B	1				
22			B1822215P00			INNER_HOOK_PRESSER_SPF	2				
23			RE0300000K0			E-RING 3	2				
24			26501858			INNER_HOOK_PRESSER_ASM	2				
25			14104004			ONCE_THROUGH_OIL_FELT	1				
26			SM6020460TP			SCREW M2 L=3.5	2				
27			14103907			SHUTTLE ONCE THROUGH	1				
28			40006577			SHUTTLE LUBRICATING PI	1				
29			SM4030455SP			SCREW	2				
30			CQ200000000			OIL WICK	2.6				
31			CQ200000000			OIL WICK	1.4				
32			23630007			TUBE	1				
33			23630007			TUBE	.6				
34	☆		13529607			SHUTTLE PACKING	2				
35			40142719			FELT	2				
36			SM6040650TP			SCREW M4 L=6	1				
37			40006575	40010472		SHUTTLE BEARING RING	2	1.00			
38			40110856			SUTTLE_OIL_SEAL	2				
39			SB3080010CA			BEARING	2				SELECTIVE PAF
40			SB3080010CB			BEARING	2				SELECTIVE PAF
41			SB3080010CC			BEARING	2				SELECTIVE PAF
42			SB3080010CD			BEARING	2				SELECTIVE PAF
43			B1815210000			INNER_HOOK_UPPER_SPRIN	1				
44			SM6020460TP			SCREW M2 L=3.5	2				
45			14103253			INNER_HOOK_PRESSER_ASM	1				FOR LK-1900BF
46			14103352			INNER_HOOK_PRESSER_ASM	1				FOR LK-1900BS
47			14103659			SHUTTLE_RACE_RING_ASM	1				FOR LK-1900BF
48			40011512			DRIVER_ASM.	1				EXCEPT LK-190
49			40014963			SHUTTLE DRIVER ASM.	1				FOR LK-1900BV
50		*	SS6121212TP			SCREW 3/16-28 L=12.0	1				
51		*	40011511	40011512		SHUTTLE_DRIVER	1	1.00			EXCEPT LK-190
52		*	40010879	40014963		SHUTTLE DRIVER	1	1.00			FOR LK-1900BV
53	☆		B18289800BB			BOBBIN_CASE_ASM. (RACIN	1				EXCEPT LK-190
54	☆		13812102			BOBBIN	1				EXCEPT LK-190
55			40142687			LOWER_SHAFT_GEAR_COV	1				
56		*	40142688			LOWER_SHAFT_GEAR_COV	1				
57		*	40010475			LOWER_SHAFT_GEAR_FELT	1				
58			SL4040891SC			SCREW M4 L=8	2				
59			40110827			OSCILLATOR	1				
60			SL4040891SC			SCREW M4 L=8	1				

SHUTTLE DRIVER SHAFT COMPONENTS



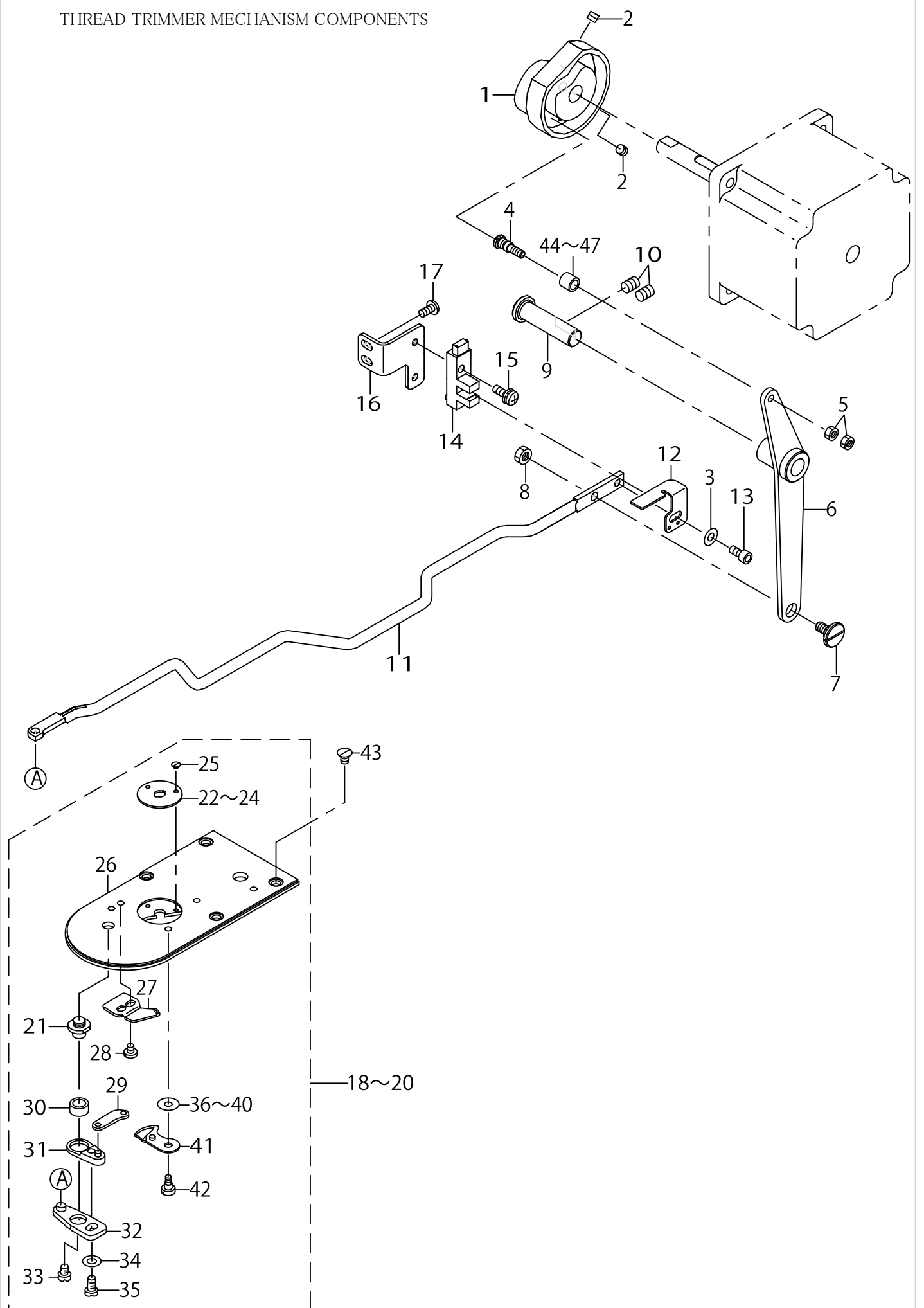
THREAD TENSION COMPONENTS



THREAD TENSION COMPONENTS

No.	C- ons	Le- vel	Parts No.	Replacement	Supply Code	Parts name	Qty	R- ep. Q- TY	Status	Spec	Remarks
1			40142273			AT SOLENOID	1				
2			SM6040802TP			SCREW M4X0.7 L=8	4				
3			RE0900000K0			E-RING 9	1				
4			40006625			SPRING	1				
5			40006617			AT SOL PIN	1				
6			40010477			AT_SOL_COLLAR	1				
7			SM8030412TP			SCREW	2				
8			40010479			AT_PLATE	1				
9			SM6040802TP			SCREW M4X0.7 L=8	2				
10			WP0450801SD			WASHER 4.5X10X0.8	2				
11			40010482			AT_DRIVE_LINK(F)_ASM.	1				
12			40010492			AT_DRIVE_LINK(R)_ASM.	1				
13			40010495			AT_PIVOT_BASE(R)	1				
14			SM6040602TP			SCREW M4 L=6	2				
15			40010486			AT_PIVOT_BASE(F)	1				
16			SM6041050TP			SCREW M4 L=10	2				
17			40010487			AT_PIVOT_SCREW	2				
18			NM6040003SC			NUT M4	2				
19			40010489			AT_PIVOT_SCREW_WASHEF	3				
20			40010490			AT_PIVOT_BEARING	2				
21			40010497			AT_JOINT	2				
22			40010489			AT_PIVOT_SCREW_WASHEF	2				
23			40010498			AT_JOINT_BEARING	2				
24			NM6030001SC			NUT M3X0.5 TYPE1	2				
25			40010500			AT_CONNECTION_BAR	1				
26			40006622			AT SNAP PIN	2				
27			40010503			THREAD_TENSION_1_ASM.	1				
28		*	40010504	40010503		THREAD_TENSION_SHAFT	1	1.00			
29		*	22928808			NUT	1				
30		*	22921506			THREAD TENSION DISK	2				
31		*	26218602			FIRST_THREAD_TENSION_S	1				
32		*	40010508			THREAD_TENSION_2_ASM.	1				
33		*	40010510			THREAD_TENSION_POST_B.	1				
34		*	40010511			DISK_STOPPER_HOLDER_C.	1				
35		*	40010512			THREAD_TENSION_SHAFT.	1				
36		*	40010513			DISK_STOPPER_SPRING	3				
37		*	40010514			DISK_STOPPER	1				
38		*	40010515			ASSY_THREAD_TENSION_PC	1				
39		*	40010478			AT_SOL_COLLAR_SCREW	1				
40	☆	*	22921605			THREAD TAKE-UP SPRING	1				
41		*	40010521			HOLD_CAP_SCREW	3				
42		*	40010522			SHAFT_NUT	1				
43		*	40010523	40010508		POST_BASE_C_RING	1	1.00			
44		*	40010509			THREAD_TENSION_SHAFT	1				
45		*	40013967			AT-FELT	1				
46			SL4040681SC			SCREW M4 L=6	1				
47			SM80606A2TP			SCREW M6 L=6	1				

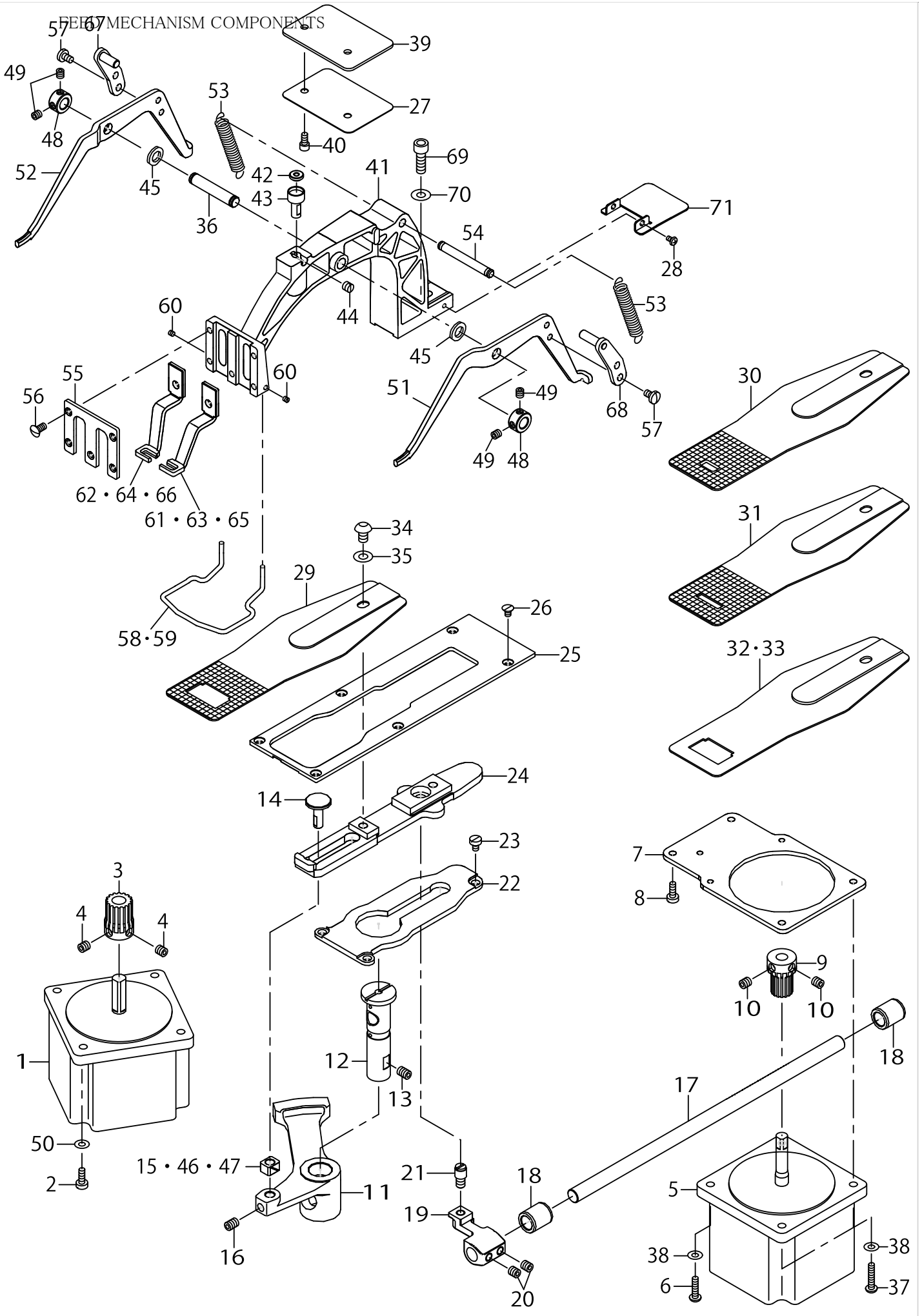
THREAD TRIMMER MECHANISM COMPONENTS



THREAD TRIMMER MECHANISM COMPONENTS

No.	C- ons	Le- vel	Parts No.	Replacement	Supply Code	Parts name	Qty	R- ep. Q- TY	Status	Spec	Remarks
1			40142728	40142727		THREAD_TRIMMER_CAM	1	1.00			
2			SM8050592TP			SCREW	2				
3			WP0450801SP			WASHER	1				
4			40040256			CAM ROLLER SHAFT	1				
5			NM6040001SP			NUT M4X0.7	2				
6			40006712			THREAD TRIMMER LINK A	1				
7			SD0800327TP			HINGE SCREW D=8 H=3.2	1				
8			NM6050001SP			NUT M5	1				
9			40006716			THREAD TRIMMER SHAFT	1				
10			SM8060812TP			SCREW M6 L=8	2				
11			40006717			CONNECTING BAR	1				
12			40010525			THREAD_TRIMMER_SEN	1				
13			SM6040802TP			SCREW M4X0.7 L=8	1				
14			HD002230000			PHOTO SENSOR	1				
15			SL4041291SC			SCREW M4 L=12	1				
16			40010526			THREAD_TRIMMER_SEN	1				
17			SM4040855SP			SCREW	2				
18			40142720			NEEDLE PLATE ASM A	1				FOR LK-1900BS
19			40142721			NEEDLE PLATE ASM H	1				FOR LK-1900BF
20			40142722			NEEDLE PLATE ASM E	1				FOR LK-1900BF
21		*	B2417280000			THREAD CUTTER LEVER S	1				
22	☆	*	B2426280000			NEEDLE HOLE GUIDE	1				FOR LK-1900BS
23	☆	*	14109607			NEEDLE HOLE GUIDE	1				FOR LK-1900BF
24	☆	*	D2426282C00			NEEDLE HOLE GUIDE	1				FOR LK-1900BF
25	☆	*	SS1060210TP			SCREW 3/32-56 L=2.2	2				
26		*	40142725			NEEDLE PLATE	1				
27	☆	*	B2424280000			FIXING KNIFE	1				
28		*	SS7090410SP			SCREW 9/64-40 L=3.5	2				
29		*	B2418280000			MOVING KNIFE LINK	1				
30		*	B2416280000			THREAD CUTTING LEVER	1				
31		*	B24152800A0			THREAD CUTTER LEVER A	1				
32		*	B24142800A0			THREAD CUTTER LEVER A	1				
33		*	SS6110430TP			SCREW 11/64-40 L=4.0	1				
34		*	WP0450846SP			WASHER	1				
35		*	SS7110740TP			SCREW 11/64-40 L=7	1				
36		*	B242328000C			MOVING KNIFE WASHER C	1				SELECTIVE PAF
37		*	B242328000A			MOVING KNIFE WASHER A	1				SELECTIVE PAF
38		*	B242328000B			MOVING KNIFE WASHER B	1				SELECTIVE PAF
39		*	B242328000D			MOVING KNIFE WASHER D	1				SELECTIVE PAF
40		*	B242328000E			MOVING KNIFE WASHER E	1				SELECTIVE PAF
41	☆	*	B24212800A0			MOVING KNIFE ASM.	1				
42		*	SD0500091TP			HINGE SCREW D=5.0 H=0.9	1				
43			SM1040650TP			SCREW M4 L=6	4				
44			23517501			NEEDLE CAM ROLLER A	1				
45			23517600			NEEDLE CAM ROLLER B	1				
46			23517709			NEEDLE CAM ROLLER C	1				
47			23517808			NEEDLE CAM ROLLER D	1				

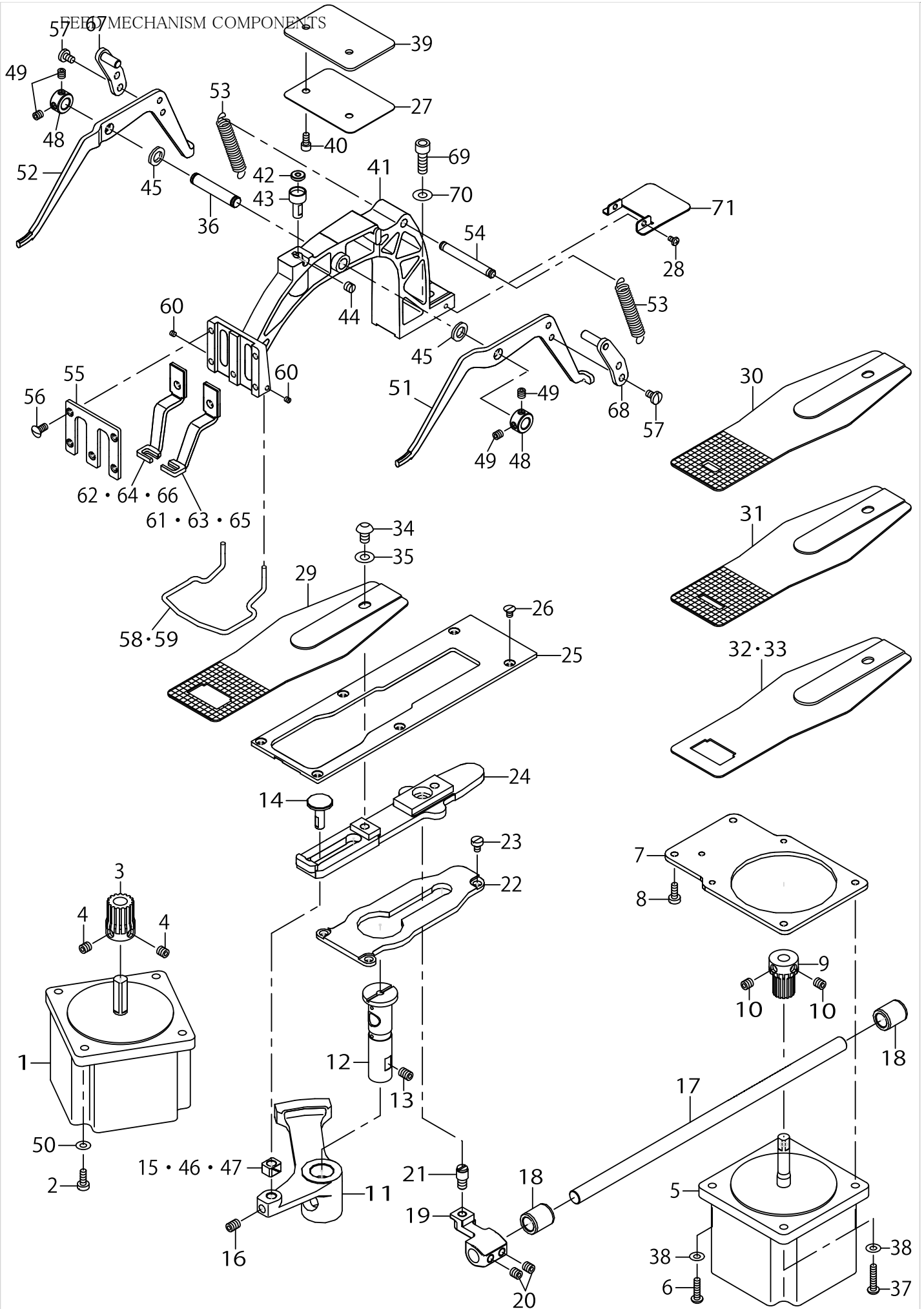
FEED MECHANISM COMPONENTS



FEED MECHANISM COMPONENTS

No.	C- ons	Le- vel	Parts No.	Replacement	Supply Code	Parts name	Qty	R- ep- Q- TY	Status	Spec	Remarks
1			40139176			X FEED MOTOR	1				
2			SM4041655SP			SCREW M4 L=16	4				
3			40142729			X FEED GEAR	1				
4			SM8480662TP			SCREW M6X0.75 L=6	2				
5			40139177			Y FEED MOTOR	1				
6			SM4041655SP			SCREW M4 L=16	2				
7			40010536			Y_FEED_MOTOR_BASE	1				
8			SM6041150TP			SCREW M4 L=11	2				
9			26501502			Y FEED GEAR	1				
10			SM8060602TP			SCREW M6X6	2				
11			40142731			CLOTH_FEED_ARM	1				
12			26222703			FEED DRIVING ARM SHAF	1				
13			SM8060812TP			SCREW M6 L=8	1				
14			26223305			SLIDE BLOCK STUD	1				
15			B1414232000			SQUARE BLOCK	1				SELECTIVE PAF
16			SM8060812TP			SCREW M6 L=8	1				
17			40006738			Y FEED SHAFT	1				
18			B2509704000			BUSHING REAR	2				
19			40142733			LENGTHWISE FEED ARM	1				
20			SM8060612TP			SCREW M6 L=6	2				
21			26223503			HINGE STUD	1				
22			40006740			CLOTH FEED SUPPORT PL	1				
23			SM6040650TP			SCREW	3				
24			40006737			CLOTH FEED PLATE	1				
25			40006739			CLOTH FEED PRESSER PL	1				
26			SM1040650TP			SCREW M4 L=6	6				
27			40142735			SLIDER SHEET	1				
28			SM5030501SC			SCREW M3 L=5	2				
29			14116107			FEED PLATE A	1				FOR LK-1900BS
30			14116206			FEED PLATE B	1				FOR LK-1900BM
31			13554803			FEED PLATE	1				FOR LK-1900BF
32			14116800			FEED PLATE H	1				FOR LK-1900BF
33			14116404			FEED PLATE D	1				FOR LK-1900BF
34			SM3061052TP			SCREW M6 L=10	1				
35			WP0621016SD			WASHER 6.2X13X1	1				
36			40083883			LIFTING LEVER SHAFT B	1				
37			SM4042055SP			SCREW M4 L=20	2				
38			WP0450801SP			WASHER	4				
39			40142734			SUPPORT PLATE	1				
40			SM6040802TP			SCREW M4X0.7 L=8	2				
41			40039013			FEED BRACKET B	1				
42			40142736			SLIDER	1				
43			26224808			BALL RETAINER	1				
44			SS8150510TP			SCREW 15/64-28 L=4.7	1				
45			40083885			WASHER	2				
46			B141423200A			CRANK SLIDE BLOCK	1				SELECTIVE PAF
47			B141423200B			GUIDE ROLLER	1				SELECTIVE PAF
48			40083884			THRUST COLLAR D=8 W=8	2				
49			SM8050512TP			SCREW M5 L=5	4				
50			WP0450801SP			WASHER	4				
51			26204008			LIFTING LEVER (RIGHT)	1				
52			26204107			LIFTING LEVER (LEFT)	1				
53			14105407			CLOTH PRESSER SPRING	2				
54			13518501			SPRING SUSPENSION	1				
55			26224105			WORK CLAMP FOOT FACI	1				
56			SS2110930SP			SCREW 11/64-40 L=8.7	5				
57			SS7110740TP			SCREW 11/64-40 L=7	4				
58			26224204			FINGER GUARD	1				EXCEPT LK-190
59			13548300			FINGER GUARD	1				FOR LK-1900BF
60			SS8080310TP			SCREW 1/8-44 L=2.8	2				

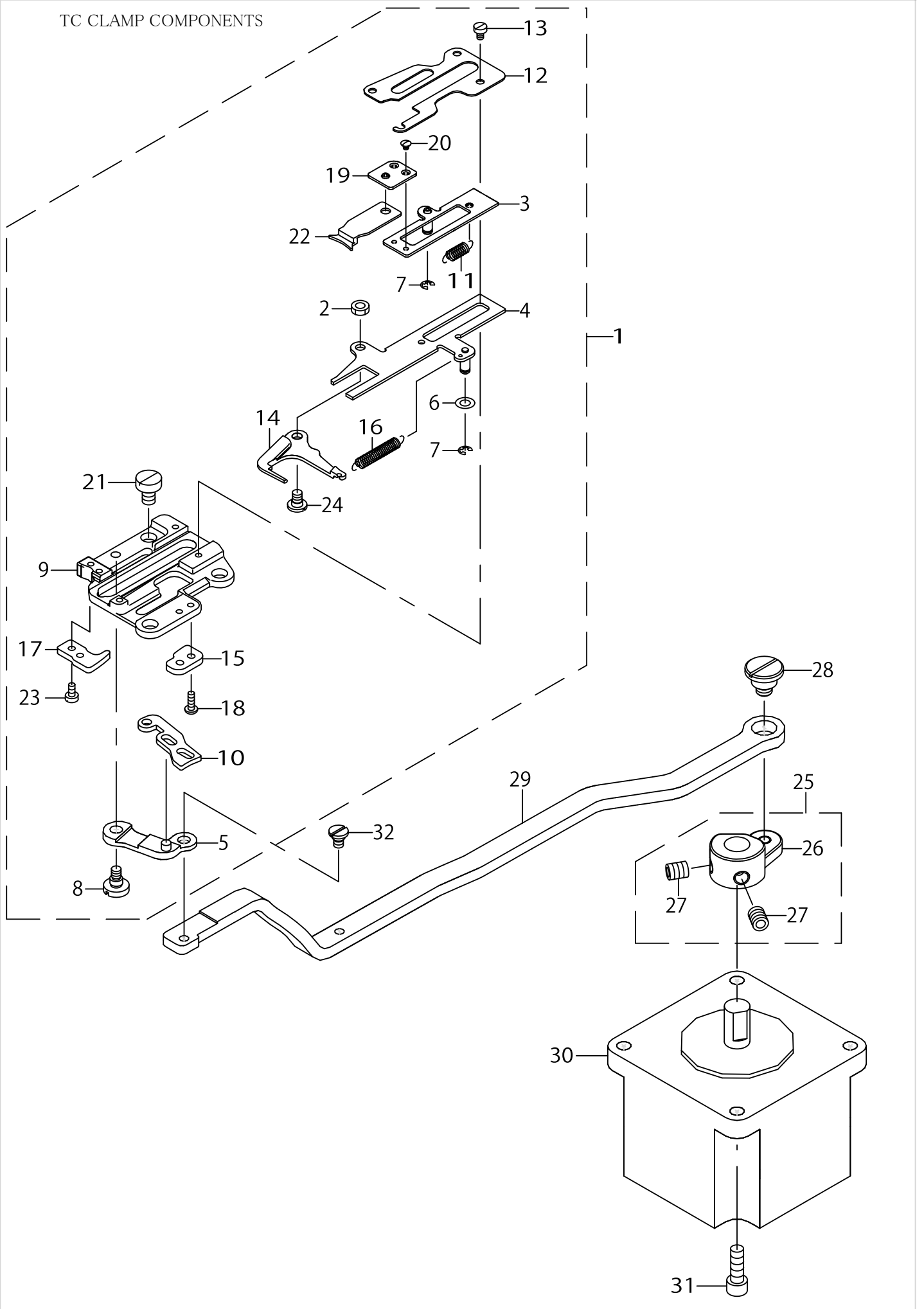
FEED MECHANISM COMPONENTS



FEED MECHANISM COMPONENTS

No.	C- ons	Le- vel	Parts No.	Replacement	Supply Code	Parts name	Qty	R- ep. Q- TY	Status	Spec	Remarks
61			13518600			WORK CLAMP FOOT (RIGH	1				FOR LK-1900BS
62			13518709			WORK CLAMP FOOT (LEF	1				FOR LK-1900BS
63			13548102			WORK CLAMR FOOT (RIGH	1				FOR LK-1900BH
64			13548201			WORK CLAMR FOOT (LEF	1				FOR LK-1900BH
65			13542915			WORK CLAMP FOOT (RIGH	1				FOR LK-1900BA
66			13543012			WORK CLAMP FOOT (LEF	1				FOR LK-1900BA
67			40103155			LEVER_DRIVING_PLATE_L	1				
68			40103154			LEVER_DRIVING_PLATE_R	1				
69			SM6061802TP			SCREW M6 L=18	1				
70			WP0621016SD			WASHER 6.2X13X1	1				
71			40010570			HIDDEN_PLATE	1				

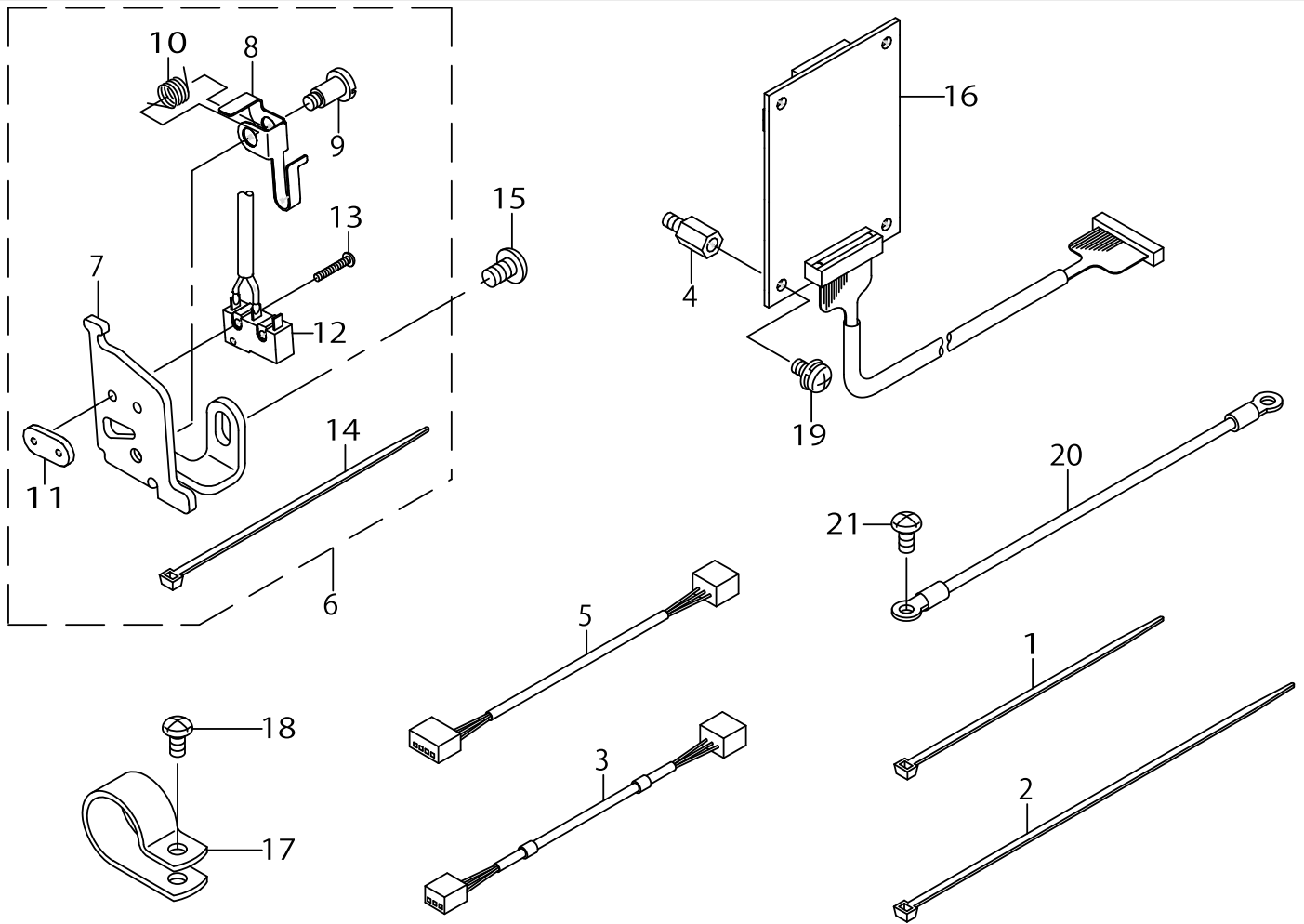
TC CLAMP COMPONENTS



TC CLAMP COMPONENTS

No.	C- ons	Le- vel	Parts No.	Replacement	Supply Code	Parts name	Qty	R- ep. Q- TY	Status	Spec	Remarks
1			40142737			THREAD_CLAMP_UNIT_ASM	1				
2		*	NM6030003SC			NUT M3	1				
3		*	40076233			TC_CLAMP_PLATE_ASM.	1				
4		*	40076238	40076235		TC_SUPPORT_PLATE	1	1.00			
5		*	40015800			TC_LINK_ASM.	1				
6		*	WP0320500SC			WASHER M3	2				
7		*	RE0200000K0			E-RING	2				
8		*	SD0400266TP			HINGE SCREW D=4 H=2.6	1				
9		*	40076237			TC_BASE	1				
10		*	40010590			TC_CAM_PLATE	1				
11		*	40006780			TC_SPRING	1				
12		*	40076236			TC_BASE_COVER	1				
13		*	SM6020350SP			SCREW M2 L=2.5	4				
14		*	40076239			TC_OPEN_PLATE	1				
15		*	40030943			TC_NOTCH_R_H	1				
16		*	40076232			TC_OPEN_SPRING	1				
17		*	40030942			TC_NOTCH_F_H	1				
18		*	SM4020600SP			SCREW M2 L=6	2				
19		*	40012815			TC JOINT ASM.	1				
20		*	SM2360110TP			SCREW	2				
21		*	SM6040650TP			SCREW	3				
22		*	40006761			TC_CLAMP	1				
23		*	SM6020450TP			SCREW	2				
24		*	SD0350156TP			SHOULDER SCREW	1				
25			40010527			TC_DRIVING_ARM_ASM.	1				
26		*	40142739			TC_DRIVING_ARM	1				
27		*	40011152	40010527		TC_ARM_SCREW	2	1.00			
28			SD0800407TP			SHOULDER SCREW	1				
29			40006776			TC_CONNECTING_LINK	1				
30			40139179			THREAD_CLAMP_MOTOR	1				
31			SM6041202TP			SCREW M4X0.7 L=12	4				
32			SD0350156TP			SHOULDER SCREW	1				

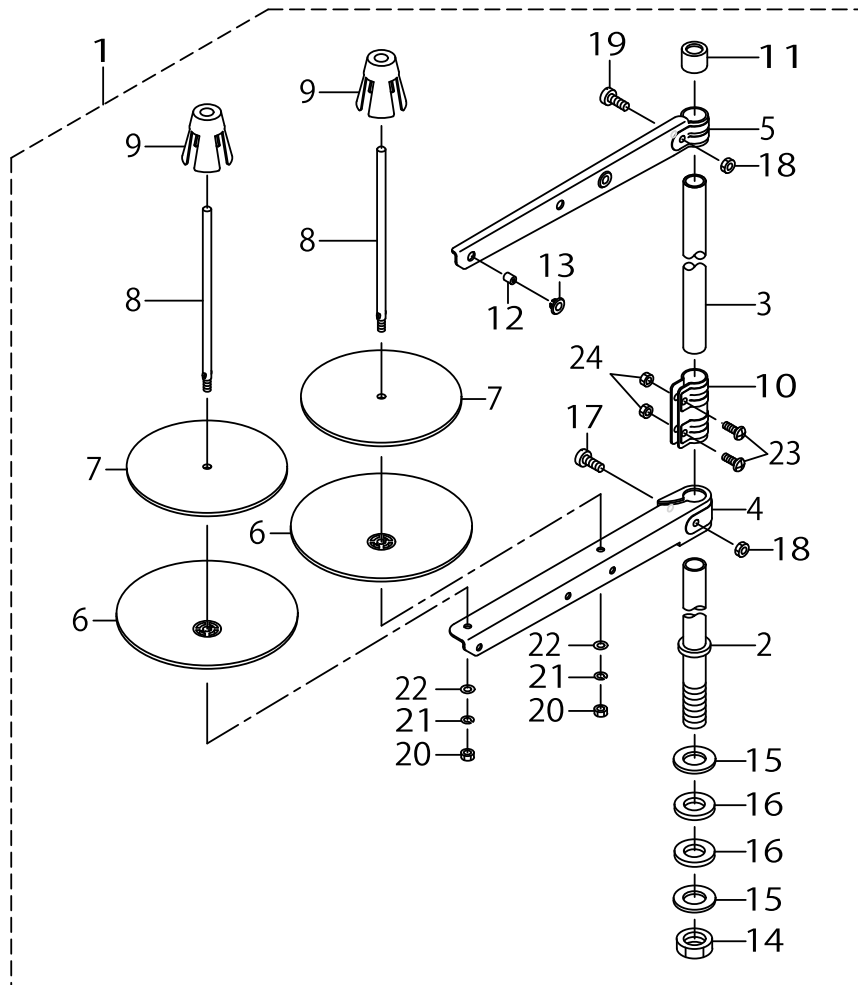
SENSOR COMPONENTS



SENSOR COMPONENTS

No.	C- ons	Le- vel	Parts No.	Replacement	Supply Code	Parts name	Qty	R- ep. Q- TY	Status	Spec	Remarks
1			EA9500B0100			CABLE BAND	2				
2			EA9500B0200			CABLE BAND 150	2				
3			40005732			PF SENSOR CABLE ASM.	1				
4			KX000000380			SPACER	4				
5			40142747			TT SENSOR CABLE ASM.	1				
6			40006495			SAFETY SW ASM.	1				
7		*	40006496	40006495		SAFETY SW BASE	1	1.00			
8		*	23638109			SAFETY SWITCH ARM.	1				
9		*	40006497	40006495		SAFETY SW ARM SHAFT	1	1.00			
10		*	23638208	23638059		SAFETY SWITCH SPRING	1	1.00			
11		*	23638406	23638059		SAFETY SWITCH NUT	1	1.00			
12		*	40005734			SAFETY SW CABLE ASM.	1				
13		*	SM4021201SC			SCREW M2 L=12	2				
14		*	EA9500B0100			CABLE BAND	1				
15			SM4050855SP			SCREW	1				
16			40137370			INT PCB ASM.	1				
17			HX00150000K			CABLE CLIP	1				
18			SM4040855SP			SCREW	1				
19			SL4040881SF			SCREW M4 L=8	4				
20			14115554			HEAD GROUND CABLE A /	1				
21			SM4040855SP			SCREW	1				

THREAD STAND COMPONENTS



THREAD STAND COMPONENTS

No.	C- ons	Le- vel	Parts No.	Replacement	Supply Code	Parts name	Qty	R- ep. Q- TY	Status	Spec	Remarks
1			40096354			THREAD STAND ASM.	1				
2		*	40085784			SPOOL REST ROD (LOWER	1				
3		*	40085785			SPOOL REST ROD (UPPER)	1				
4		*	40085786			SPOOL REST ARM (LOWER	1				
5		*	40085787			SPOOL REST ARM (UPPER)	1				
6		*	40085788			SPOOL REST	2				
7		*	40085789			SPOOL REST CUSHION	2				
8		*	40085790			SPOOL PIN	2				
9		*	40085791			SPOOL RETAINER	2				
10		*	40085792			SPOOL REST ROD JOINT	1				
11		*	40085793			SPOOL REST ROD RUBBER	1				
12		*	40085794			THREAD GUIDE	2				
13		*	40085795			THREAD GUIDE BUSHING	2				
14		*	40096325			SPOOL REST ROD NUT	1				
15		*	WP1612616SE			WASHER 16X30X2.6	2				
16		*	40085796			SPOOL REST ROD RUBBER	2				
17		*	40096326			SPOOL REST ARM LOWER	1				
18		*	NM6050001SE			NUT M5	2				
19		*	40096327	SM4053001SE		SPOOL REST ARM UPPER S	1	1.00			
20		*	NM6050001SE			NUT M5	2				
21		*	WS0510002KN			SPRING WASHER M5	2				
22		*	WP0531001SC			WASHER M5	2				
23		*	SM4051405SE			SCREW M5 L=14	2				
24		*	NM6050001SE			NUT M5	2				

TABLE STAND COMPONENTS (JT-K46)

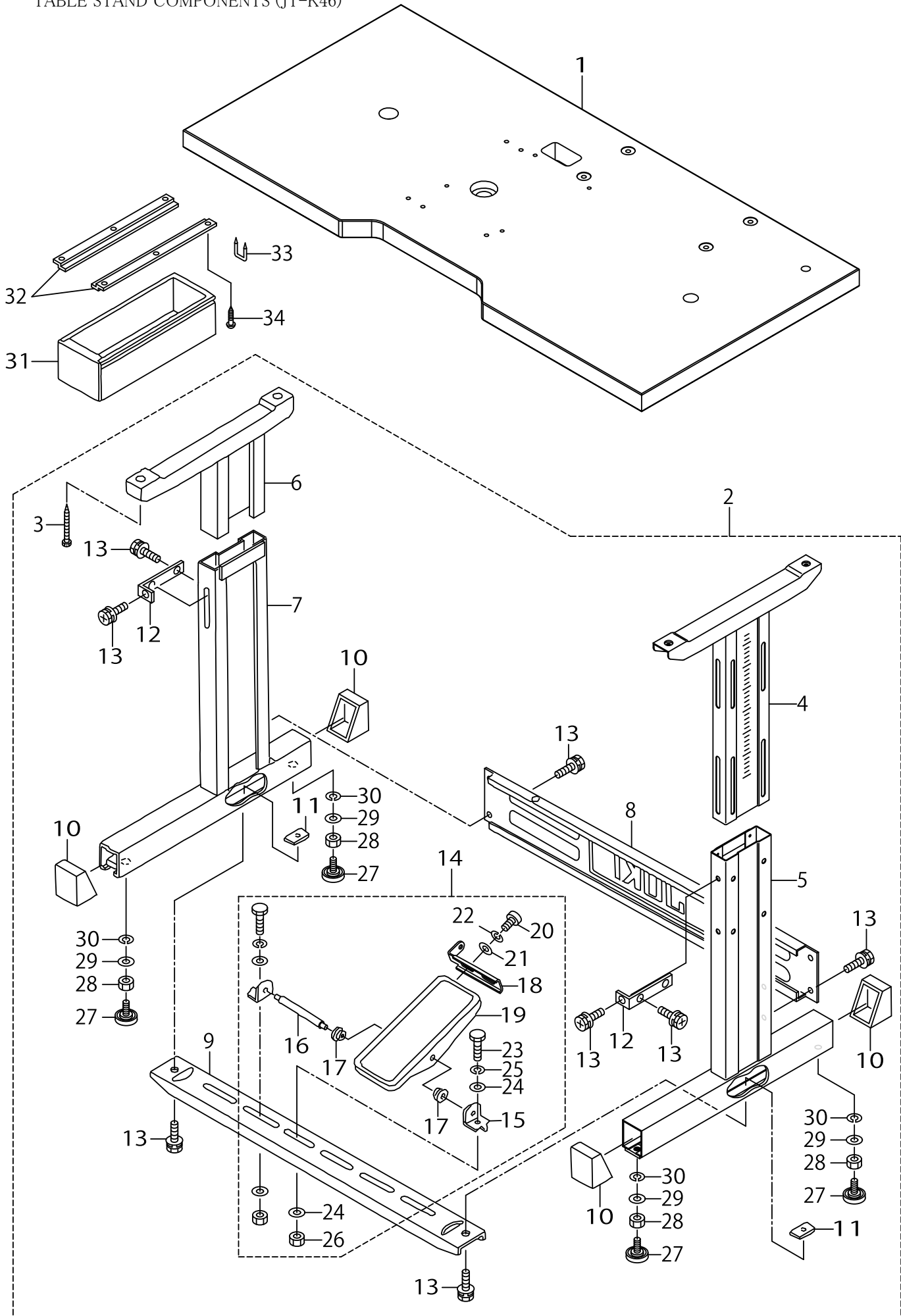
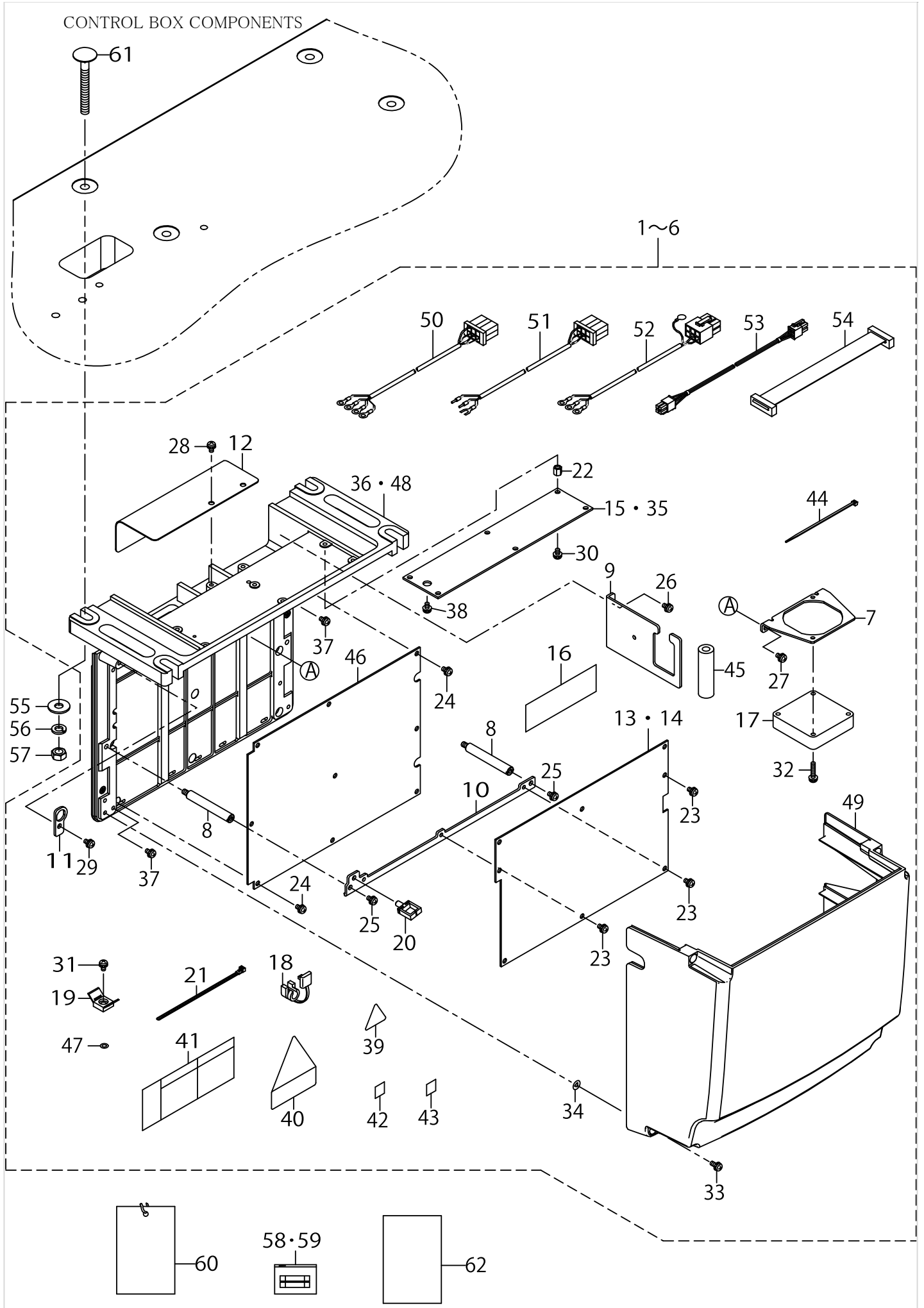


TABLE STAND COMPONENTS (JT-K46)

No.	C- ons	Le- vel	Parts No.	Replacement	Supply Code	Parts name	Qty	R- ep. Q- TY	Status	Spec	Remarks
1			40143093			TABLE	1				
2			14118053			T-STAND COMPL.	1				
3		*	ST9053511SR			TAPPING SCREW M5X35	4				
4		*	14118152			UPPER STAND ASM. (RIGH	1				
5		*	14118251			STAND ASM. (RIGHT)	1				
6		*	B8101210AAB			UPPER STAND ASM.	1				
7		*	B8105210AAA			STAND ASM.	1				
8		*	11158300		Disconinue	STAND SIDE SUPPORT	1				
9		*	11158409			STAND SIDE SUPPORT	1				
10		*	11158607			RUBBER CAP	4				
11		*	17007402			NUT	2				
12		*	11158516			UPPER STAND PLATE	2				
13		*	SL9082091SE			WASHER HEXAGONAL BOI	12				
14		*	13817754			Z-STAND PEDAL ASM.	1				
15		*	11159001			PEDAL SHAFT BRACKET	1				
16		*	B8153771000			PEDAL CONNECTING ROD	1				
17		*	D8113555B00			PEDAL BUSHING	2				
18		*	GPF06080000			PEDAL ADJUSTING PLATE	1				
19		*	GPF060600A0			PEDAL ASM.	1				
20		*	SM9061203SE			SCREW M6 L=12	2				
21		*	WP0671016SE			WASHER 6.7X13X1	2				
22		*	WS0621210KR			SPRING WASHER 6.2X11.4X	2				
23		*	SM9082023SE			SCREW M8 L=20	2				
24		*	WP0871602SE			WASHER 8.7X18X1.6	4				
25		*	WS0861410KR			SPRING WASHER 8.6X15X1	2				
26		*	NM6080721SE			NUT M8	2				
27		*	B81085550A0			ADJUSTING SCREW ASM. V	4				
28		*	NM6120001SE			NUT M12	4				
29		*	WP1302501SE			WASHER M12	4				
30		*	WS1253010KN			SPRING WASHER 12.5X21.5	4				
31			11155108	11155157		DRAWER	1	1.00			
32			11155207			DRAWER SUPPORT	2				
33			D8204555D00			DRAWER STOPPER	1				
34			SK3311601SE			WOOD SCREW D=3.1 L=16	6				

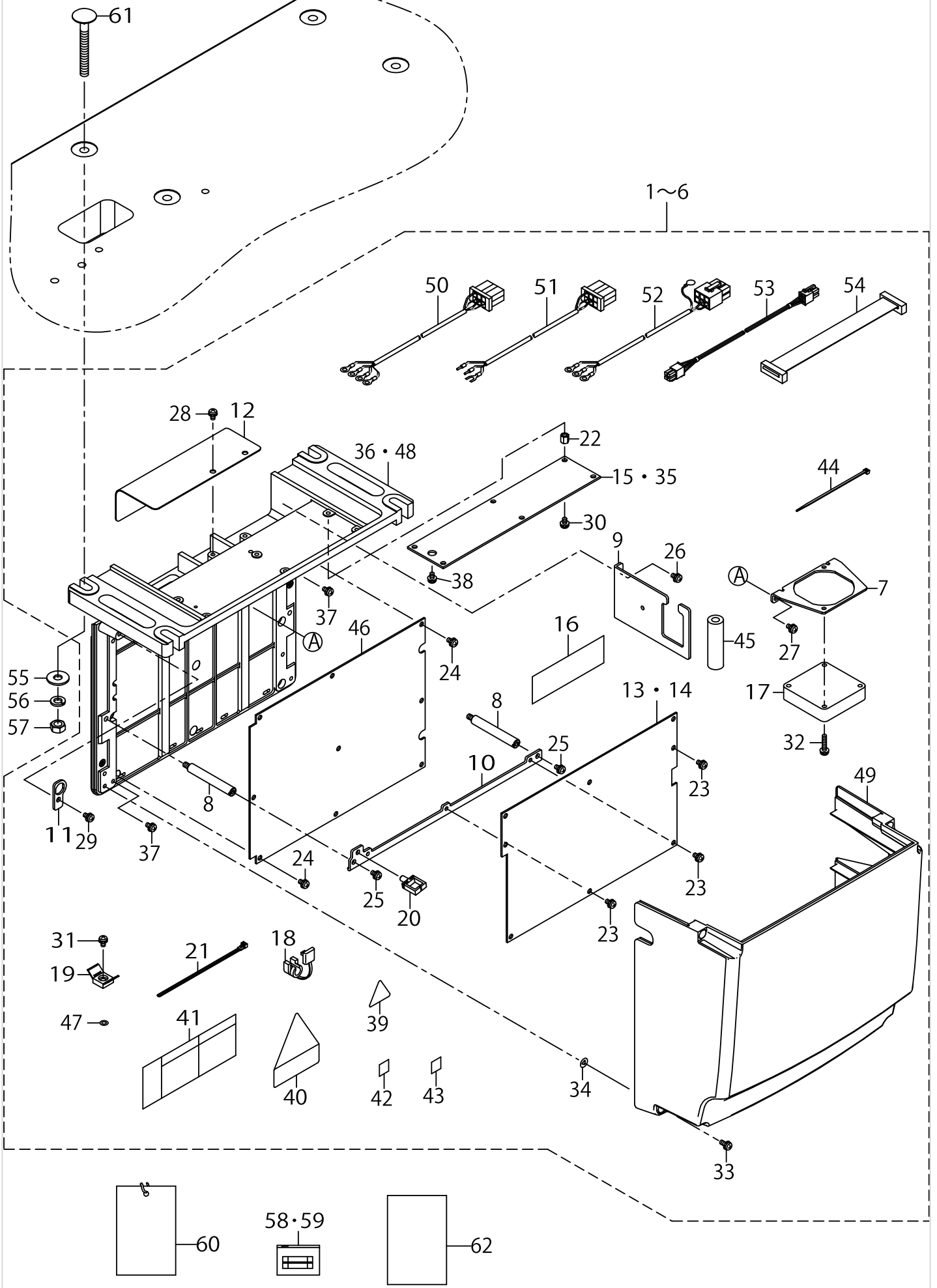
CONTROL BOX COMPONENTS



CONTROL BOX COMPONENTS

No.	C- ons	Le- vel	Parts No.	Replacement	Supply Code	Parts name	Qty	R- ep. Q- TY	Status	Spec	Remarks
1			40142663			CONTROL BOX A ASM.	1				FOR 1-PHASE 2
2			40142664			CONTROL BOX B ASM.	1				FOR 3-PHASE 2
3			40142665			CONTROL BOX C ASM.	1				FOR 1-PHASE C
4			40153140			CONTROL BOX A ASM.	1				FOR 1-PHASE 2
5			40153141			CONTROL BOX B ASM.	1				FOR 3-PHASE 2
6			40153142			CONTROL BOX C ASM.	1				FOR 1-PHASE C
7		*	40115874			FAN PLATE	1				
8		*	40143990			STUD	2				
9		*	40115876			PLATE B	1				
10		*	40115877			MAIN PLATE	1				
11		*	40115878			PLATE C	1				
12		*	40115879			FAN COVER	1				
13	☆	*	40137360			MAIN PCB ASSY	1				
14	☆	*	40152920			MAIN PCB ASSY	1				FOR MC-672
15		*	40105465			FLT-T PCB ASSY	1				FOR 3-PHASE 2
16		*	40114398			MAIN COOL SHEET	2				
17		*	40111214			FAN MOTOR ASSY	1				
18		*	KX000000320			BUSH	1				
19		*	KX000000260		Disconinue	SADDLE TYPE TIE MOUNT	1				
20		*	HX00222000D			WIRE SADDLE	1				
21		*	HX00292000A			CONNECTING PART	1				
22		*	HX00339000M			SPACER	6				FOR 3-PHASE 2
23		*	SL4040881SC			SCREW M4 L=8	8				
24		*	SL4040881SC			SCREW M4 L=8	4				
25		*	SL4040881SC			SCREW M4 L=8	2				
26		*	SL4040881SC			SCREW M4 L=8	2				
27		*	SL4040881SC			SCREW M4 L=8	2				
28		*	SL4040881SC			SCREW M4 L=8	2				
29		*	SL4040881SC			SCREW M4 L=8	1				
30		*	SL4040881SC			SCREW M4 L=8	6				FOR 3-PHASE 2
31		*	SL4040881SC			SCREW M4 L=8	1				
32		*	SL4042091SC			SCREW M4X0.7 L=20	2				
33		*	SL4041281SC			SCREW M4X0.7 L=12	4				
34		*	M8002430000			STOPPER	4				
35		*	40145901			FLT-CE PCB ASSY	1				FOR 1-PHASE C
36		*	40143988			FRAME A	1				FOR 1-PHASE 2
37		*	SL4040881SC			SCREW M4 L=8	3				
38		*	SL4030881SC			SCREW M3 L=8	1				FOR 3-PHASE 2
39		*	CM300100001			LABEL	1				FOR 1-PHASE 2
40		*	CM300400602			VOLTAGE CAUTION LABEL	1				
41		*	CM300100402			VOLTAGE DANGER LABEL	1				FOR 3-PHASE 2
42		*	CM600100101			WEEE MARK LABEL S	1				FOR 1-PHASE C
43		*	40150131			EAC_MARK_LABEL_S	1				FOR 1-PHASE C
44		*	EA9500B0100			CABLE BAND	1				
45		*	E8760452S00		Disconinue	TUBE	1.055				
46		*	40142267			SDC PCB ASSY	1				
47		*	WP0430800SC			WASHER M4	1				FOR 3-PHASE 2
48		*	40143989			FRAME B	1				FOR 3-PHASE 2
49		*	40114136			COVER	1				
50		*	40141488			AC_POWER_CORD_B_ASM	1				
51		*	40146295			AC_POWER_CORD_C_L_ASM	1				
52		*	40141487			AC POWER CORD A ASM	1				
53		*	40114373			SDC-MAIN P1 CORD ASM	1				
54		*	40114375			SDC-MAIN S CORD ASM	1				
55			WP0852086SC			WASHER M8	4				
56			WS0820002KR			SPRING WASHER M8	4				
57			NM6080002SC			NUT M8	4				
58			HF0013050P0			FUSE 5A	1				
59			HF003000200			FUSE 2A (220/240V)	1				
60			M300451100A			VOLTAGE INDICATION CA	1				

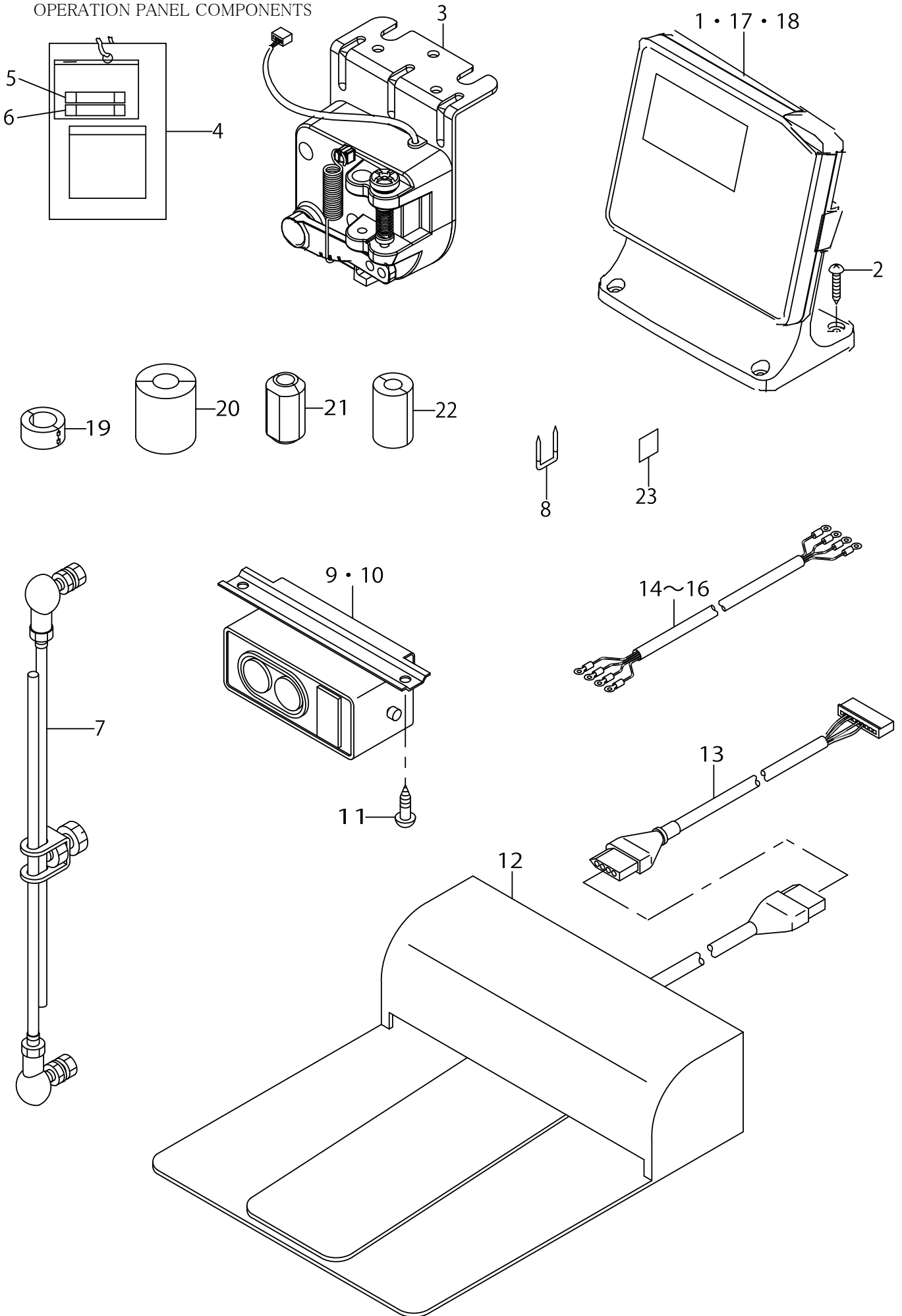
CONTROL BOX COMPONENTS



CONTROL BOX COMPONENTS

No.	C- ons	Le- vel	Parts No.	Replacement	Supply Code	Parts name	Qty	R- ep- Q- TY	Status	Spec	Remarks
61 62			MTSHJ100003 40144511			BOLT CORE SET UP MANUAL	4 1				FOR 1-PHASE C

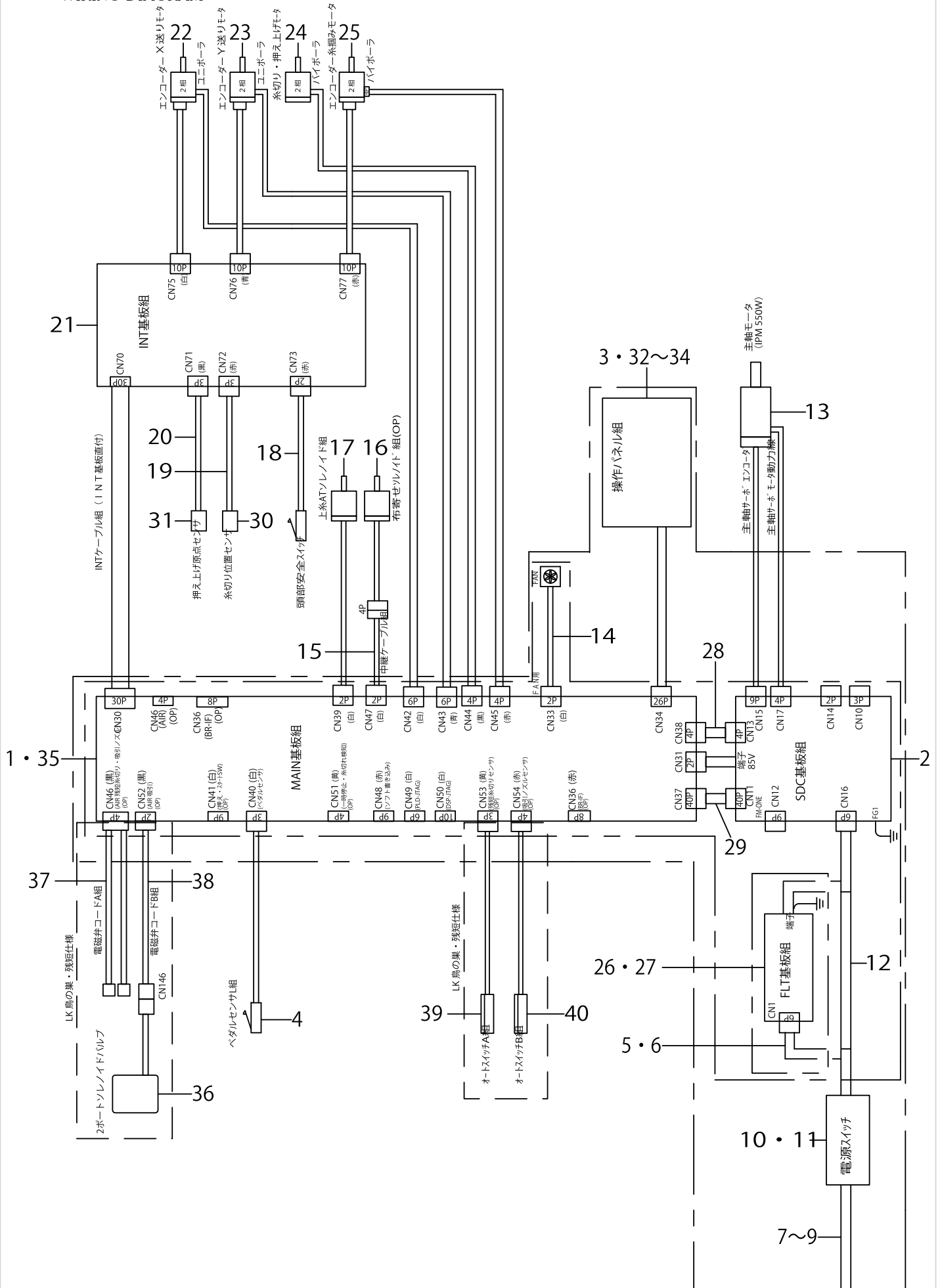
OPERATION PANEL COMPONENTS



OPERATION PANEL COMPONENTS

No.	C- ons	Le- vel	Parts No.	Replacement	Supply Code	Parts name	Qty	R- ep. Q- TY	Status	Spec	Remarks
1			40142272			OPERATION BOX ASSY	1				
2			SK3382001SE			SCREW D=3.8 L=20	4				
3			40146296			PEDAL SENSOR L ASM	1				
4			M300451100A			VOLTAGE INDICATION CA	1				
5			HF003000200			FUSE 2A (220/240V)	1				
6			HF0013050P0			FUSE 5A	1				
7			40042134			CONNECING_ROD_ASSY	1				
8			MAO11532000			CORD STAPLE	3				
9			HA004250000			SWITCH	1				FOR 3-PHASE 2
10			40113427			POWER SWITCH	1				FOR 1-PHASE 2
11			SK3512001SE			WOOD SCREW D=5.1 L=20	2				
12			GPK570010B0			PEDAL SWITCH ASM.	1				OPTIONAL PAR
13			M90135900A0			PK57 TRANSFER CABLE AS	1				OPTIONAL PAR
14			M90175800A0			POWER CABLE ASM.	1				FOR 3-PHASE 2
15			40005390			CE POWER CABLE ASM.	1				1-PHASE CE 20
16			40023371			SINGLE PHASE POWER CO	1				FOR 1-PHASE 2
17			40152933			PUB OPERATION BOX ASS	1				FOR 3-PHASE 2
18			40146292			CE OPERATION BOX ASSY	1				FOR 1-PHASE C
19			HN002460000			CORES	2				1-PHASE CE 20
20			HN001490000			CLAMP FILTER(L)	1				1-PHASE CE 20
21			HN002840000			CORES	1				1-PHASE CE 20
22			HN00149000A			CLAMP FILTER	1				1-PHASE CE 20
23			CM600100101			WEEE MARK LABEL S	1				1-PHASE CE 20

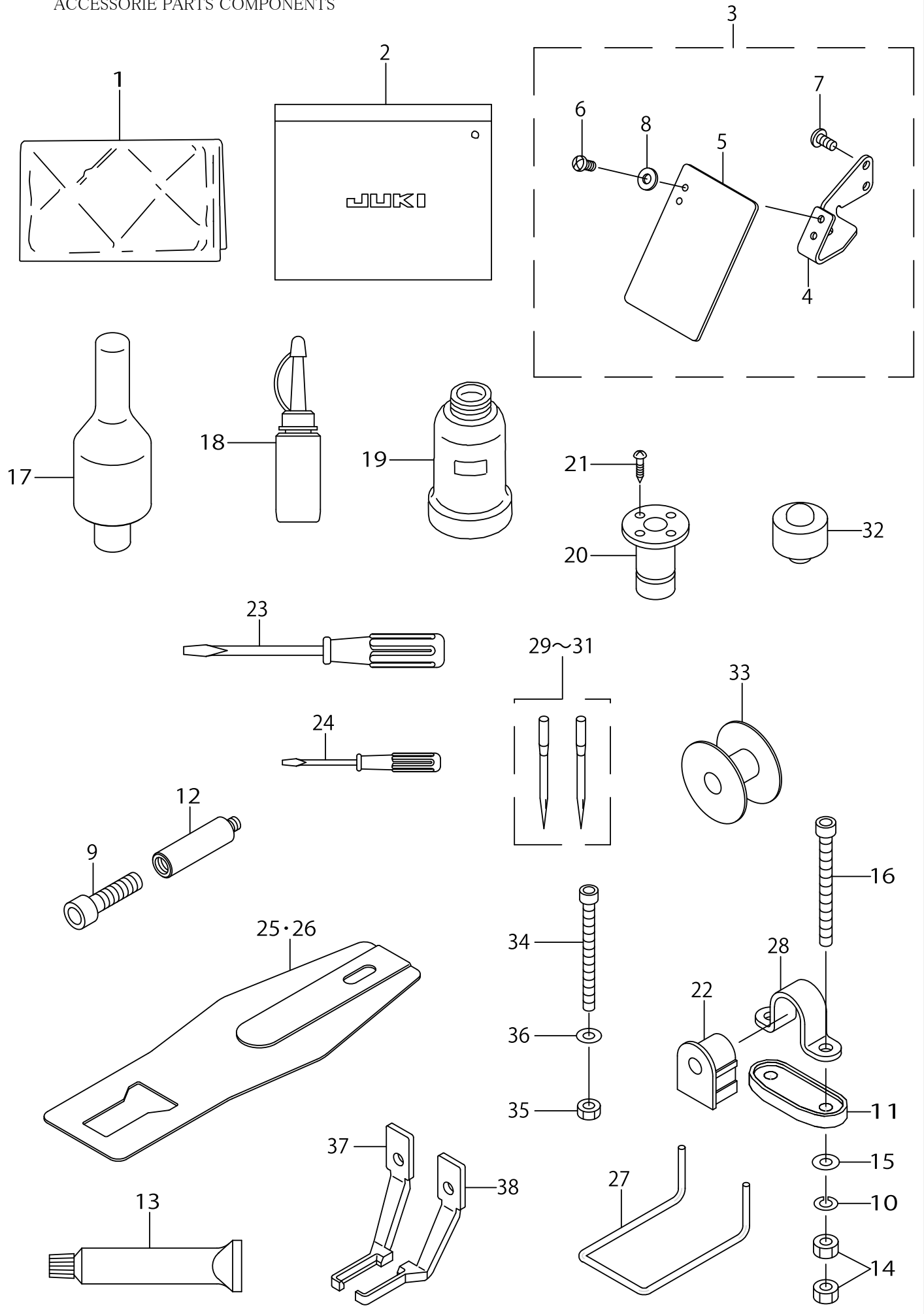
WIRING DIAGRAM



WIRING DIAGRAM

No.	C- ons	Le- vel	Parts No.	Replacement	Supply Code	Parts name	Qty	R- ep- Q- TY	Status	Spec	Remarks
1			40137360			MAIN PCB ASSY	1				
2			40142267			SDC PCB ASSY	1				
3			40142272			OPERATION BOX ASSY	1				
4			40146296			PEDAL SENSOR L ASM	1				
5			40141488			AC POWER CORD B ASM.	1				FOR 3-PHASE 2
6			40146295			AC POWER CORD C L ASM	1				FOR 1-PHASE C
7			M90175800A0			POWER CABLE ASM.	1				FOR 3-PHASE 2
8			40005390			JE POWER CABLE ASM.	1				FOR 1-PHASE C
9			40023371			SINGLE PHASE POWER CO	1				FOR 1-PHASE 2
10			HA004250000			SWITCH	1				FOR 3-PHASE 2
11			40113427			POWER SWITCH	1				FOR 1-PHASE 2
12			40141487			AC POWER CORD A ASM.	1				FOR 1-PHASE 2
13			40138137			IPM550W MOTOR	1				
14			40111214			FAN MOTOR ASSY	1				
15			40005728			SOLENOID RELAY CABLE	1				
16			40006912			SOLENOID FOR PICK UP A	1				
17			40142273			AT SOLENOID	1				
18			40006495			SAFETY_SW_ASM.	1				
19			40142747			TT SENSOR CABLE ASM.	1				
20			40005732			PF SENSOR CABLE ASM.	1				
21			40137370			INT PCB ASM.	1				
22			40139176			X FEED MOTOR	1				
23			40139177			Y FEED MOTOR	1				
24			40139178			PRESSER LIFTING MOTOR	1				
25			40139179			THREAD CLAMP MOTOR	1				
26			40105465			FLT-T PCB ASSY	1				FOR 3-PHASE 2
27			40145901			FLT-CE PCB ASSY	1				FOR 1-PHASE C
28			40114373			SDC-MAIN P1 CORD ASM.	1				
29			40114375			SDC-MAIN S CORD ASM.	1				
30			HD002230000			PHOTO SENSOR	1				
31			HD00057000A			PHOTO SENSOR	1				
32			40152933			PUB OPERATION BOX ASS	1				MC-672 EXCEP
33			40146292			CE OPERATION BOX ASSY	1				FOR MC-672 CE
34			40144886			IP-420U PANEL ASSY	1				FOR IP PANEL
35			40152920			MAIN PCB ASSY	1				FOR MC-672
36			PV120205000			2-PORT SOLENOID VALVE	1				
37			40153196			AIR SOLENOID VALVE COI	1				
38			40153197			AIR SOLENOID VALVE COI	1				
39			40153194			AUTO SWITCH A ASM	1				
40			40153195			AUTO SWITCH B ASM	1				

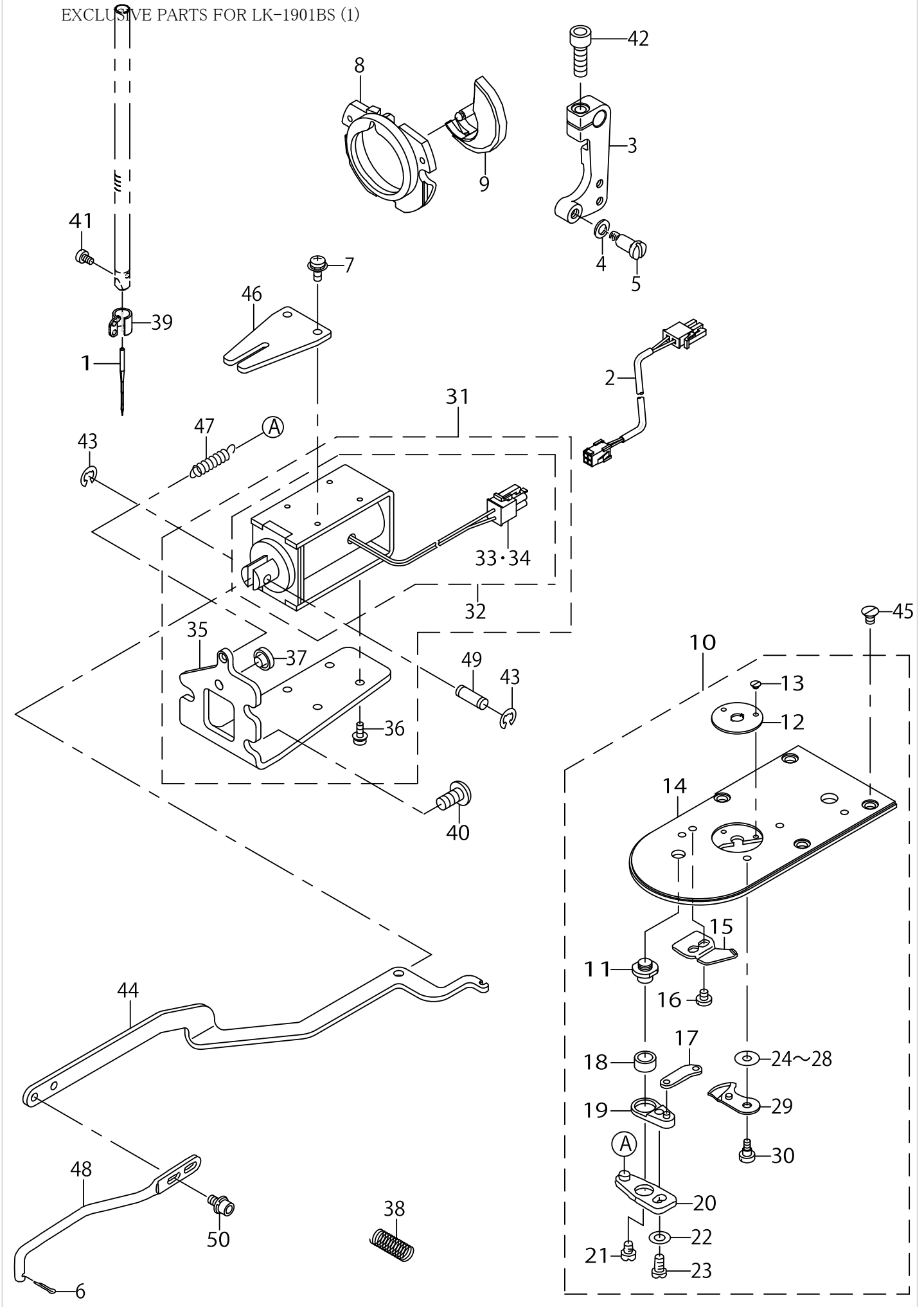
ACCESSORIE PARTS COMPONENTS



ACCESSORIE PARTS COMPONENTS

No.	C- ons	Le- vel	Parts No.	Replacement	Supply Code	Parts name	Qty	R- ep- Q- TY	Status	Spec	Remarks
1			40048536			HEAD_COVER	1				
2			22932800			ACCESSORIE BAG	1				
3			40006484			SAFETY PLATE ASM.	1				
4		*	40051987			SAFETY PLATE BASE	1				
5		*	26037200			SAFETY PLATE	1				
6		*	SM4040655SP			SCREW M4 L=6	2				
7		*	SM4040855SP			SCREW	2				
8		*	WP0450801SD			WASHER 4.5X10X0.8	2				
9			SM6083002TN			SCREW M8 L=30	1				
10			WS0610002KN			SPRING WASHER 6.1X12.2X	4				
11			40016195			BED_HINGE_RUBBER	2				
12			40036110			GREASE JOINT B	1				
13	☆		40006323			JUKI GREASE A TUBE	1				
14			NM6060001SC			NUT M6	8				
15			WP0651646SC			WASHER	4				
16			SM6066002TN			BOLT M6 L=60	4				
17			14101208			HEAD SUPPORT BAR	1				
18			B91212200A0			OILER (CONTAINING NO.2	1				
19			B9121012000			OIL CAN	1				
20			B8202205000			OIL MANAGEMENT	1				
21			SK3311601SE			WOOD SCREW D=3.1 L=16	2				
22			40110844			HINGE_RUBBER	2				
23			22933105			SCREW DRIVER (MIDDLE)	1				
24			22933204			SCREW DRIVER (SMALL)	1				
25			14116503			FEED PLATE E	1				FOR LK-1900BF
26			14116909			FEED PLATE I	1				FOR LK-1900BF
27			13573407			FINGER GUARD	1				FOR LK-1900BF
28			B1111210D00			BED HINGE	2				
29	☆		MDP500B1402	MDP500B1400		NEEDLE DPX5#14-2	1	1.00			FOR LK-1900BS
30	☆		MDP170B2102			NEEDLE DPX17#21-2	1				FOR LK-1900BF
31	☆		MDP500B1102			DPX5#11-2	1				FOR LK-1900BF
32			40016194			FRAME_SUPPORT_RUBBER	2				
33	☆		13812102			BOBBIN	1				
34			SM6066002TN			BOLT M6 L=60	1				
35			NM6060001SC			NUT M6	1				
36			WP0651646SC			WASHER	1				
37			13571906	13571955		CLOTH PRESSER FOOT (R)	1	1.00			FOR LK-1900BF
38			13572003	13571955		CLOTH PRESSER FOOT (L)	1	1.00			FOR LK-1900BF

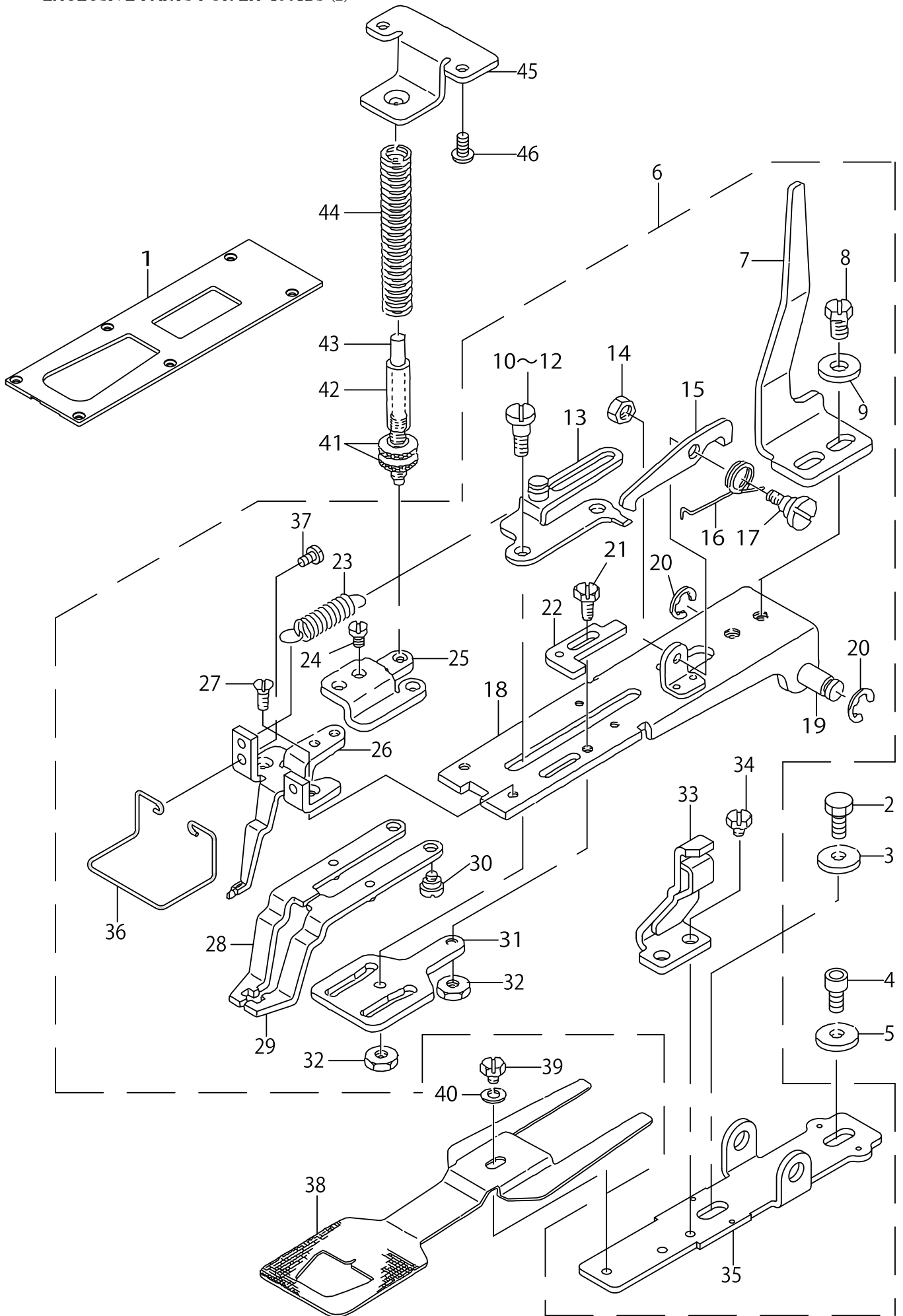
EXCLUSIVE PARTS FOR LK-1901BS (1)



EXCLUSIVE PARTS FOR LK-1901BS (1)

No.	C- ons	Le- vel	Parts No.	Replacement	Supply Code	Parts name	Qty	R- ep- Q- TY	Status	Spec	Remarks
1	☆		MDP500B1400			NEEDLE DPX5 #14	1				
2			40005728			SOLENOID RELAY CABLE	1				
3			40011949			CONNECTING ARM B	1				
4			WP0651056SH			WASHER 6.5X11X1	1				
5			SD1201506TP			SHOULDER SCREW	1				
6			PD02010000B			SPLIT PIN	1				
7			SL4030681SC			SCREW M3 L=6	2				
8			14103352			INNER HOOK PRESSER ASM	1				
9	☆		40110846			SHUTTLE	1				
10			40142720			NEEDLE PLATE ASM. A	1				
11		*	B2417280000			THREAD CUTTER LEVER S	1				
12	☆	*	B2426280000			NEEDLE HOLE GUIDE	1				
13		*	SS1060210TP			SCREW 3/32-56 L=2.2	2				
14		*	40142725			NEEDLE PLATE	1				
15	☆	*	B2424280000			FIXING KNIFE	1				
16		*	SS7090410SP			SCREW 9/64-40 L=3.5	1				
17		*	B2418280000			MOVING KNIFE LINK	1				
18		*	B2416280000			THREAD CUTTING LEVER	1				
19		*	B24152800A0			THREAD CUTTER LEVER A	1				
20		*	B24142800A0			THREAD CUTTER LEVER A	1				
21		*	SS6110430TP			SCREW 11/64-40 L=4.0	1				
22		*	WP0450846SP			WASHER	1				
23		*	SS7110740TP			SCREW 11/64-40 L=7	1				
24		*	B242328000C			MOVING KNIFE WASHER C	1				SELECTIVE PAF
25		*	B242328000A			MOVING KNIFE WASHER A	1				SELECTIVE PAF
26		*	B242328000B			MOVING KNIFE WASHER B	1				SELECTIVE PAF
27		*	B242328000D			MOVING KNIFE WASHER D	1				SELECTIVE PAF
28		*	B242328000E			MOVING KNIFE WASHER E	1				SELECTIVE PAF
29	☆	*	B24212800A0			MOVING KNIFE ASM.	1				
30		*	SD0500091TP			HINGE SCREW D=5.0 H=0.9	1				
31			40006912			SOLENOID FOR PICK UP A	1				
32		*	14141758			SOLENOID FOR PICK-UP C	1				
33		*	HK03461004A			HOUSING BLUE 4P	1				
34		*	HK034640000			PIN CONTACT	2				
35		*	40006913			SOLENOID INSTALLING BA	1				
36		*	SL4030881SC			SCREW M3X8	4				
37		*	12258000			BUSH	1				
38			14148407			VERTICAL FEED SHAFT SF	2				
39	☆		40006525	40010574		NEEDLE BAR THREAD GUI	1	1.00			
40			SM4061255SP			SCREW M6 L=12	3				
41	☆		SM6030500SN			SCREW M3 L=5	1				
42			SM6061802TP			SCREW M6 L=18	1				
43			RC0410415KP			C-RING	2				
44			40006914			WORK CLAMP CONNECTIN	1				
45			SM1040650TP			SCREW	4				
46			14142103			CONNECTING LINK GUIDE	1				
47			B1657506E00			SPRING	1				
48			13540604			DRIVING BAR B	1				
49			B302745000B			PIN	1				
50			SL6040892TN			BOLT	2				

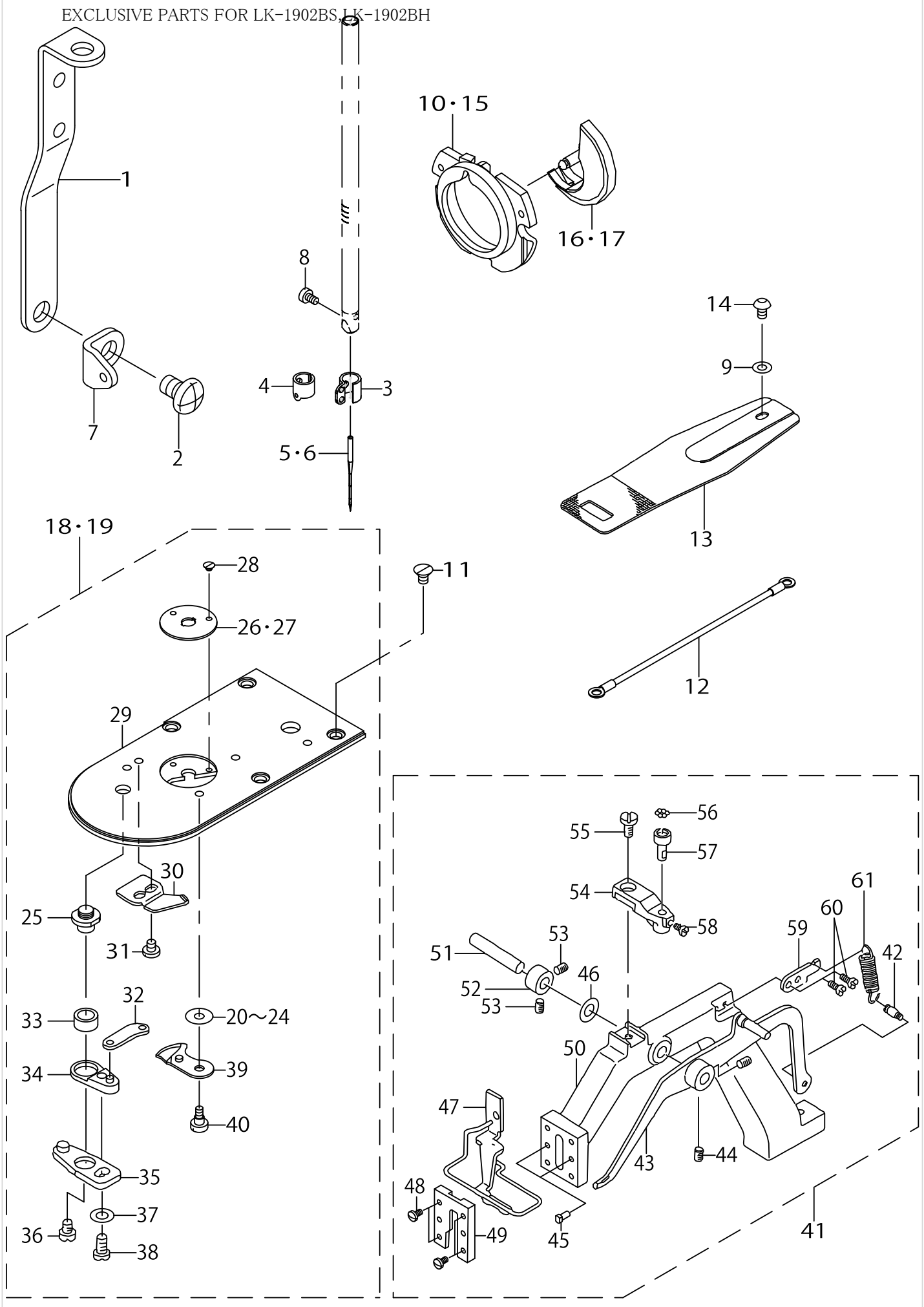
EXCLUSIVE PARTS FOR LK-1901BS (2)



EXCLUSIVE PARTS FOR LK-1901BS (2)

No.	C- ons	Le- vel	Parts No.	Replacement	Supply Code	Parts name	Qty	R- ep- Q- TY	Status	Spec	Remarks
1			40006935			CLOTH FEED PRESSER PL	1				
2			SM9061403CP			SCREW M6 L=14	1				
3			WP0612516SD			WASHER 6.1X15.2X2.5	1				
4			SM6061202TP			SCREW M6 L=12	1				
5			WP0612516SD			WASHER 6.1X15.2X2.5	1				
6			14140255			WORK CLAMP FOOT BRAC	1				
7		*	13541404			WORK CLAMP FOOT LIFT	1				
8		*	SS9151120CP			SCREW 15/64-28 L=11	2				
9		*	WP0612516SD			WASHER 6.1X15.2X2.5	2				
10		*	D2545232D0A			HINGE SCREW	2				SELECTIVE PAF
11		*	D2545232D0B			HINGE SCREW	2				SELECTIVE PAF
12		*	D2545232D0C	D2545232D0A		HINGE SCREW	2	1.00			SELECTIVE PAF
13		*	14141055			PULLING PLATE COMPL.	1				
14		*	NS6110530SP			NUT 11/64-40	1				
15		*	14141105			FIXING HOOK	1				
16		*	D2512232D00			TORSION SPRING	1				
17		*	D2511232D00			SCREW	1				
18		*	14140354			INSTALLING BASE COMPL	1				
19		*	14141402			INSTALLING SHAFT	1				
20		*	RE0700000K0			E-RING 7	2				
21		*	SS9110920CP			SCREW 11/64-40 L=9	1				
22		*	14140909			ADJUSTING PLATE	1				
23		*	D2515232D00			TORSION SPRING	1				
24		*	SS7110510SP			SCREW 11/64-40 L=5	2				
25		*	13541107			WORK CLAMP FOOT SPRIN	1				
26		*	14140552			PICK-UP GUIDE COMPL.	1				
27		*	SS1110640TP			SCREW 11/64-40 L=5.5	2				
28		*	D2520232DA0			WORK CLAMP FOOT ASM.	1				
29		*	D2521232DA0			WORK CLAMP FOOT ASM.	1				
30		*	SD0550271TP			HINGE SCREW D=5.50 H=2.	2				
31		*	14141204			PLATE CAM	1				
32		*	NS6120480SP			NUT 3/16-28	2				
33		*	14140750			PREVENTING PLATE COMI	1				
34		*	SS9110460CP			SCREW 11/64-40 L=4	2				
35		*	14140206			PICK-UP INSTALLING BASI	1				
36		*	14141501			FINGER GUARD	1				
37		*	SS7090610SP			SCREW 9/64-40 L=6	2				
38			13541503			FEED PLATE	1				
39			SS9110460CP			SCREW 11/64-40 L=4	1				
40			WP0501016SD			WASHER 5X10.5X1	1				
41			B3117352000			THREAD TENSION POST N	2				
42			D2527232D00			SLEEVE	1				
43			D2528232D00			SHAFT	1				
44			D2529232D00			PRESSER SPRING	1				
45			13541602			WORK CLAMP FOOT SPRIN	1				
46			SM5040855SN			SCREW	2				

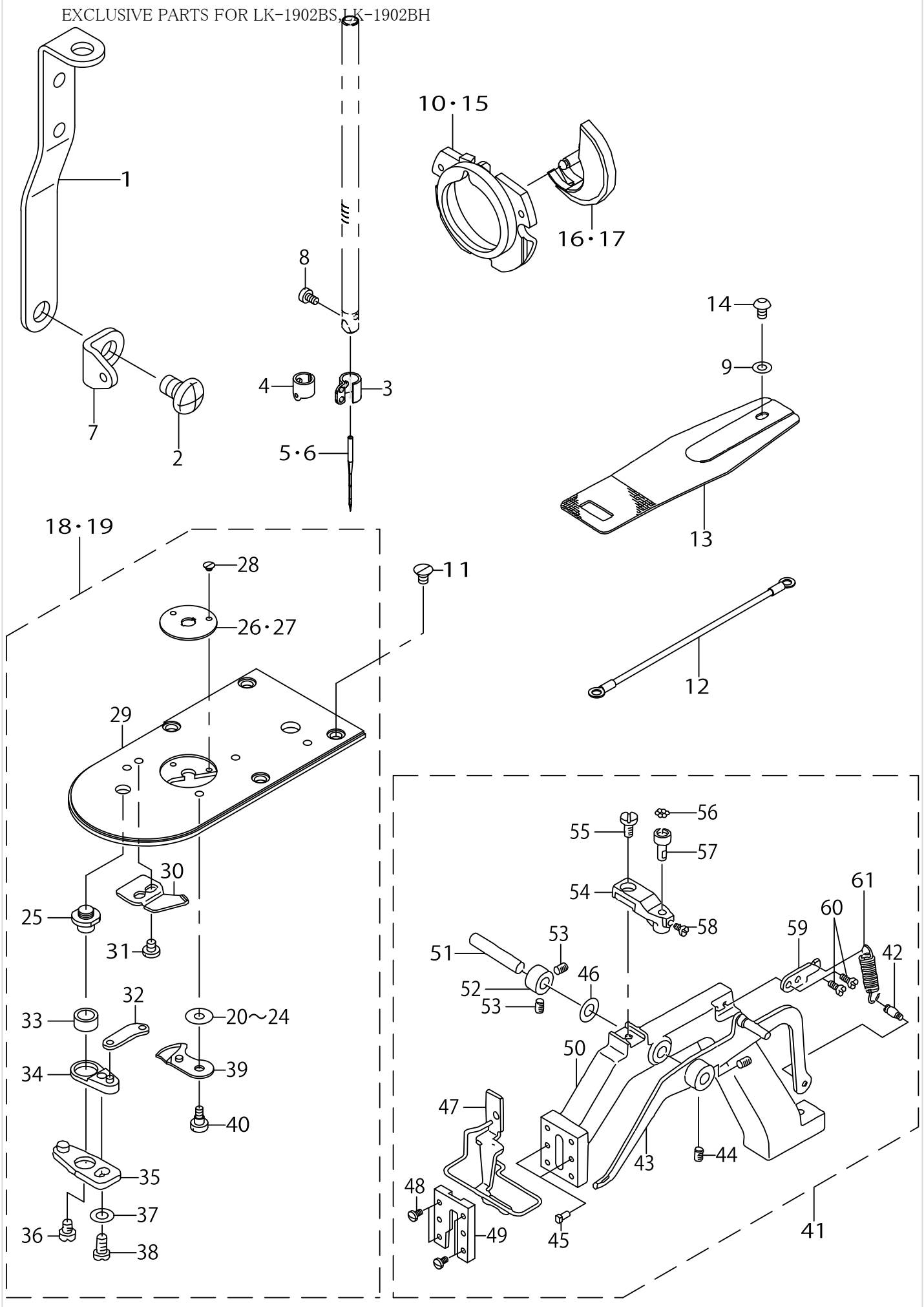
EXCLUSIVE PARTS FOR LK-1902BS, LK-1902BH



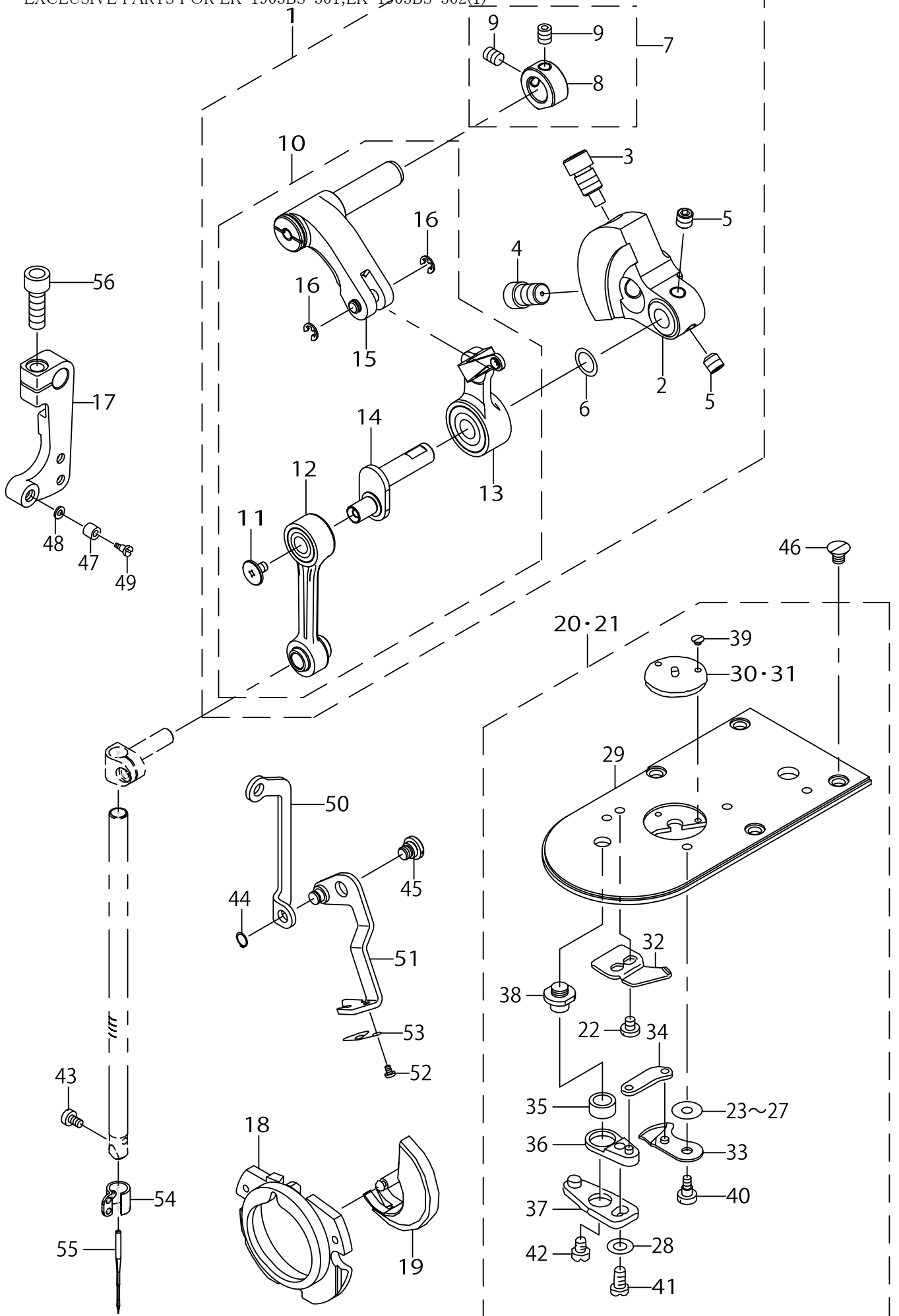
EXCLUSIVE PARTS FOR LK-1902BS,LK-1902BH

No.	C- ons	Le- vel	Parts No.	Replacement	Supply Code	Parts name	Qty	R- ep. Q- TY	Status	Spec	Remarks
1			B1114581000			THREAD GUIDE PLATE	1				
2			SM4061255SP			SCREW M6 L=12	1				
3	☆		40006525	40010574		NEEDLE BAR THREAD GUI	1	1.00			FOR LK-1902BS
4	☆		D1405L7AM00			NEEDLE BAR THREAD GUI	1				FOR LK-1902BH
5	☆		MDP500B1400			NEEDLE DPX5 #14	1				FOR LK-1902BS
6	☆		MDP170B2100			NEEDLE DPX17 #21	1				FOR LK-1902BH
7			13786306	40010414		THREAD GUIDE NO.1	1	1.00			
8	☆		SM6030500SN			SCREW M3 L=5	1				
9			WP0621016SD			WASHER 6.2X13X1	1				
10			14103352			INNER HOOK PRESSER ASM	1				FOR LK-1902BS
11			SM1040650TP			SCREW	4				
12			40005712			EARTH CORD ASM.	1				
13			14143002			FEED PLATE	1				
14			SM3061052TP			SCREW M6 L=10	1				
15			14103659			SHUTTLE RACE RING ASM	1				FOR LK-1902BH
16	☆		40110846			SHUTTLE	1				FOR LK-1902BS
17	☆		40112995			SHUTTLE(H)	1				FOR LK-1902BH
18			40142720			NEEDLE PLATE ASM A	1				FOR LK-1902BS
19			40142721			NEEDLE PLATE ASM H	1				FOR LK-1902BH
20		*	B242328000C			MOVING KNIFE WASHER C	1				SELECTIVE PAF
21		*	B242328000A			MOVING KNIFE WASHER A	1				SELECTIVE PAF
22		*	B242328000B			MOVING KNIFE WASHER B	1				SELECTIVE PAF
23		*	B242328000D			MOVING KNIFE WASHER D	1				SELECTIVE PAF
24		*	B242328000E			MOVING KNIFE WASHER E	1				SELECTIVE PAF
25		*	B2417280000			THREAD CUTTER LEVER S	1				
26	☆	*	B2426280000			NEEDLE HOLE GUIDE	1				FOR LK-1902BS
27	☆	*	14109607			NEEDLE HOLE GUIDE	1				FOR LK-1902BH
28		*	SS1060210TP			SCREW 3/32-56 L=2.2	2				
29		*	40142725			NEEDLE PLATE	1				
30	☆	*	B2424280000			FIXING KNIFE	1				
31		*	SS7090410SP			SCREW 9/64-40 L=3.5	2				
32		*	B2418280000			MOVING KNIFE LINK	1				
33		*	B2416280000			THREAD CUTTING LEVER	1				
34		*	B24152800A0			THREAD CUTTER LEVER A	1				
35		*	B24142800A0			THREAD CUTTER LEVER A	1				
36		*	SS6110430TP			SCREW 11/64-40 L=4.0	1				
37		*	WP0450846SP			WASHER	1				
38		*	SS7110740TP			SCREW 11/64-40 L=7	1				
39	☆	*	B24212800A0			MOVING KNIFE ASM.	1				
40		*	SD0500091TP			HINGE SCREW D=5.0 H=0.9	1				
41			40090012			CLOTH FEED BASE ASM.	1				
42		*	26229302			SUSPENSION SCREW	1				
43		*	13544051			LIFTING LEVER ASM.	1				
44		*	SS8150822TP			SCREW 15/64-28 L=8	2				
45		*	B1816280000			GUIDE PIN	2				
46		*	40090011			WASHER D	1				
47		*	13544465			CLOTH PRESSER FOOT AS	1				
48		*	SS7120910TP			SCREW 3/16-28 L=9	4				
49		*	13544614			CLOTH FEED BASE COVEI	1				
50		*	13543715			CLOTH FEED BASE	1				
51		*	40089982			LIFTING LEVER SHAFT D	1				
52		*	40090010			THRUST COLLAR D	1				
53		*	SM8060612TP			SCREW M6 L=6	2				
54		*	13543806			BALL HOLDER	1				
55		*	SS7151210SP			SCREW 15/64-28 L=12	1				
56		*	B2549280000			WORK CLAMP FOOT MOU	7				
57		*	26224808			BALL RETAINER	1				
58		*	SS7110740TP			SCREW 11/64-40 L=7	1				
59		*	13543905			SPRING SUSPENSION	1				
60		*	SS6120940SP			SCREW 3/16-28 L=9	2				

EXCLUSIVE PARTS FOR LK-1902BS, LK-1902BH



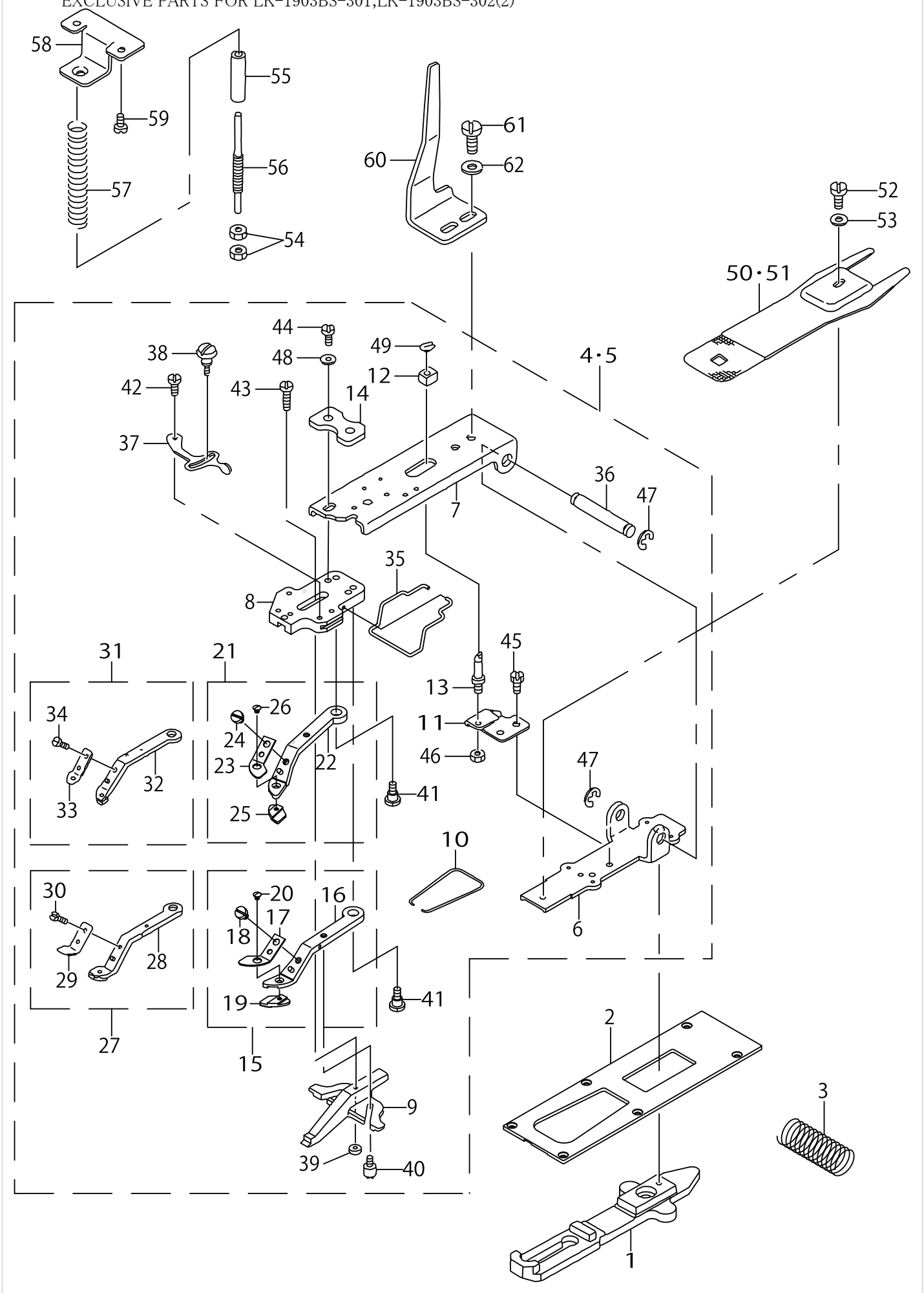
EXCLUSIVE PARTS FOR LK-1903BS-301, LK-1903BS-302(1)



EXCLUSIVE PARTS FOR LK-1903BS-301,LK-1903BS-302(1)

No.	C- ons	Le- vel	Parts No.	Replacement	Supply Code	Parts name	Qty	R- ep. Q- TY	Status	Spec	Remarks
1			40142785			COUNTER_WEIGHT_COMPL	1				
2		*	40142691			COUNTER_WEIGHT	1				
3		*	40010424			COUNTER_WEIGHT_SCREW	1				
4		*	40010425			COUNTER_WEIGHT_SCREW	1				
5		*	40010426			COUNTER_WEIGHT_SCREW	1				
6		*	WP0820516SP			WASHER 11.6X8.2X0.6	1				
7		*	40110841			THRUST_COLLAR_ASM.	1				
8		*	40110842			THRUST_COLLAR	1				
9		*	SM80506A2TP			SCREW M5 L=6	2				
10		*	40142786	40142785		THREAD TAKE UP COMPL	1	1.00			
11		*	40142701	40142689		LEFT_HAND_SCREW	1	1.00			
12		*	40142697	40142785		NEEDLE_BAR_CRANK_ROD.	1	1.00	選択部品	LK1903B	
12		*	40142697	40142689		NEEDLE_BAR_CRANK_ROD.	1	1.00	選択部品	LK1900B	
13		*	40142787			THREAD_TAKE_UP_ASM._3	1				
14		*	40142790			NEEDLE_BAR_CRANK_3	1				
15		*	40142807			TAKE_UP_CRANK_ASM._3	1				
16		*	RE0300000K0			E-RING 3	2				
17			40011949			CONNECTING ARM B	1				
18			14103352			INNER HOOK PRESSER ASM	1				
19	☆		40110846			SHUTTLE	1				
20			40142723			NEEDLE PLATE ASM. M	1				FOR LK-1903BS
21			40142724			NEEDLE PLATE ASM. K	1				FOR LK-1903BS
22		*	SS7090410SP			SCREW 9/64-40 L=3.5	2				
23		*	B242328000A			MOVING KNIFE WASHER A	1				SELECTIVE PAF
24		*	B242328000B			MOVING KNIFE WASHER B	1				SELECTIVE PAF
25		*	B242328000C			MOVING KNIFE WASHER C	1				SELECTIVE PAF
26		*	B242328000D			MOVING KNIFE WASHER D	1				SELECTIVE PAF
27		*	B242328000E			MOVING KNIFE WASHER E	1				SELECTIVE PAF
28		*	WP0450846SP			WASHER	1				
29		*	40142725			NEEDLE PLATE	1				
30	☆	*	MAZ15801000			GUIDE	1				FOR LK-1903BS
31	☆	*	MAZ15601000			GUIDE	1				FOR LK-1903BS
32	☆	*	B2424280000			FIXING KNIFE	1				
33	☆	*	B24212800A0			MOVING KNIFE ASM.	1				
34		*	B2418280000			MOVING KNIFE LINK	1				
35		*	B2416280000			THREAD CUTTING LEVER	1				
36		*	B24152800A0			THREAD CUTTER LEVER A	1				
37		*	B24142800A0			THREAD CUTTER LEVER A	1				
38		*	B2417280000			THREAD CUTTER LEVER S	1				
39		*	SS1060210TP			SCREW 3/32-56 L=2.2	2				
40		*	SD0500091TP			HINGE SCREW D=5.0 H=0.1	1				
41		*	SS7110740TP			SCREW 11/64-40 L=7	1				
42		*	SS6110430TP			SCREW 11/64-40 L=4.0	1				
43	☆		SM6030500SN			SCREW M3 L=5	1				
44			RC0470611KP			RETAINING RING 4.7	1				
45			SD0640216TP			SHOULDER SCREW	1				
46			SM1040650TP			SCREW	4				
47			B2619372000	26028803		STOP MOTION TRIPPING L	1	1.00			
48			B185351200E			HOOK SHAFT WASHER	1				
49			SD0791276TP			SHOULDER SCREW	1				
50			40006937			WIPER CONNECTING PLA1	1				
51			40033047			WIPER ASM.	1				
52			SS5060310SP			SCREW 3/32-56 L=2.8	2				
53	☆		40009860			WIPER THREAD CATCH SF	1				
54	☆		40006525	40010574		NEEDLE BAR THREAD GUI	1	1.00			
55	☆		MDP170B1400			NEEDLE DFX17 #14	1				
56			SM6061802TP			SCREW M6 L=18	1				

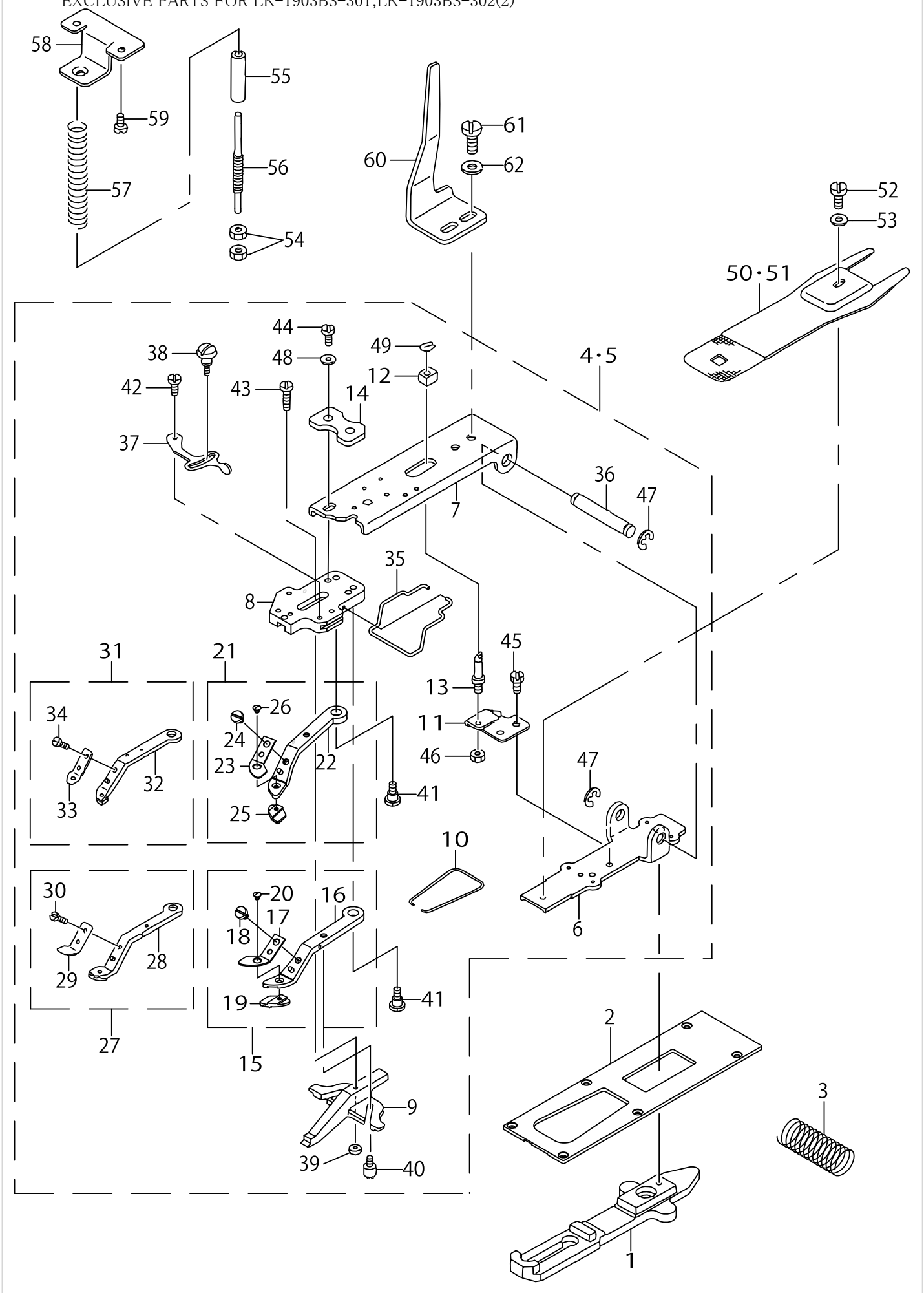
EXCLUSIVE PARTS FOR LK-1903BS-301,LK-1903BS-302(2)



EXCLUSIVE PARTS FOR LK-1903BS-301,LK-1903BS-302(2)

No.	C- ons	Le- vel	Parts No.	Replacement	Supply Code	Parts name	Qty	R- ep- Q- TY	Status	Spec	Remarks
1			14145106			CLOTH FEED PLATE	1				
2			40006935			CLOTH FEED PRESSER PL	1				
3			14148407			VERTICAL FEED SHAFT SF	1				
4			14145858			VERY SMALL CLAMP MECI	1				FOR LK-1903BS
5			14145650			MEDIUM CLAMP MECHANI	1				FOR LK-1903BS
6		*	14146104			PICK-UP INSTALLING BASI	1				
7		*	14146203			PICK-UP FOOT INSTALLIN	1				
8		*	14146302			PICK-UP FOOT INSTALLIN	1				
9		*	B2552372000	26025908		BUTTON CLAMP SLIDE	1	1.00			
10		*	MAZ15513000			BUTTON CLAMP JAW LEVI	1				
11		*	MAZ15514000			SUPPORT PLATE	1				
12		*	MAZ15515000			SLIDE BLOCK	1				
13		*	13540901			STATIONING BLOCK SHAF	1				
14		*	14146401			PRESSER PLATE	1				
15		*	14149058			MIDDLE CLAMP JAW LEVE	1				FOR LK-1903BS
16		*	MAZ15507000	MAZ155070A0		SMALL CLAMP JAW LEVEF	1	1.00			
17		*	MAZ15509000			SPRING RIGHT	1				
18		*	SS7090410SP			SCREW 9/64-40 L=3.5	1				
19		*	14149009			PLATE L (RIGHT)	1				
20		*	SS2060310SP			SCREW 3/32-56 L=3	1				
21		*	14149157			MIDDLE CLAMP JAW LEVE	1				FOR LK-1903BS
22		*	MAZ15508000	MAZ155080A0		SMALL CLAMP JAW LEVEF	1	1.00			
23		*	MAZ15510000			SPRING (LEFT)	1				
24		*	SS7090410SP			SCREW 9/64-40 L=3.5	1				
25		*	14149108			PLATE L (LEFT)	1				
26		*	SS2060310SP			SCREW 3/32-56 L=3	1				
27		*	MAZ158070BB			EXTRA SMALL CLAMP LEV	1				FOR LK-1903BS
28		*	MAZ158070AB	MAZ158070BB		EXTRA SMALL CLAMP LEV	1	1.00			
29		*	MAZ15809000			SPRING (RIGHT)	1				
30		*	SS7090410SP			SCREW 9/64-40 L=3.5	1				
31		*	MAZ158080BB			EXTRA SMALL CLAMP LEV	1				FOR LK-1903BS
32		*	MAZ158080AB	MAZ158080BB		EXTRA SMALL CLAMP LEV	1	1.00			
33		*	MAZ15810000			SPRING (LEFT)	1				
34		*	SS7090410SP			SCREW 9/64-40 L=3.5	1				
35		*	D3130M1YC00			FINGER GUARD	1				
36		*	14141402			INSTALLING SHAFT	1				
37		*	B2548372000			SNAP FASTENER CLAMP S	1				
38		*	B2549372000			CLAMP SCREW A	1				
39		*	B2553372000			NUT	1				
40		*	B2560372000			BUTTON CLAMP STOP PIN	2				
41		*	SD0640391TP			HINGE SCREW D=6.35 H=3.	2				
42		*	SD0550181SP			HINGE SCREW D=5.50 H=1.	1				
43		*	SD0550301SP			HINGE SCREW D=5.5 H=3	1				
44		*	SS9621413SP			SCREW 3/16-32 L=13.5	2				
45		*	SS9110460CP			SCREW 11/64-40 L=4	2				
46		*	NS6150310SP			NUT 15/64-28	1				
47		*	RE0700000K0			E-RING 7	2				
48		*	WP0501016SD			WASHER 5X10.5X1	2				
49		*	D2548232D00			SNAP RING FOR CONNECT	1				
50			MAZ15502000			PRESSURE PLATE	1				FOR LK-1903BS
51			MAZ15602000			PRESSURE PLATE	1				FOR LK-1903BS
52			SS9110543CP			SCREW 11/64-40 L=5.3	1				
53			WP0501016SD			WASHER 5X10.5X1	1				
54			22928808			NUT	2				
55			D2527232D00			SLEEVE	1				
56			14146906			ADJUSTING SHAFT	1				
57			13812003			PRESSURE SPRING	1				
58			13811906			ACCEPT PLATE (UPPER)	1				
59			SM5040855SN			SCREW	2				
60			MAZ15516000			MOVING PLATE	1				

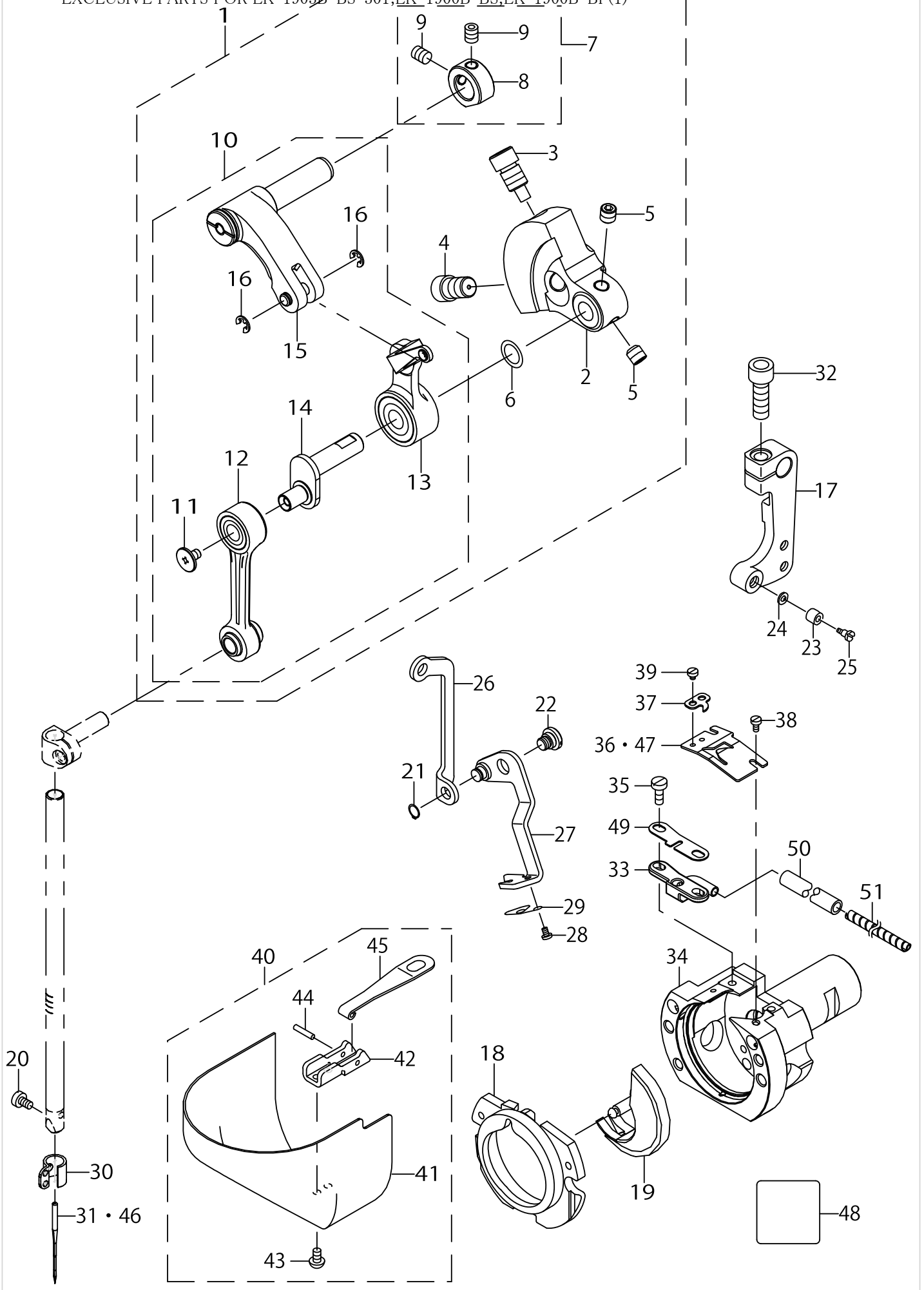
EXCLUSIVE PARTS FOR LK-1903BS-301,LK-1903BS-302(2)



EXCLUSIVE PARTS FOR LK-1903BS-301,LK-1903BS-302(2)

No.	C- ons	Le- vel	Parts No.	Replacement	Supply Code	Parts name	Qty	R- ep. Q- TY	Status	Spec	Remarks
61			SS9151120CP			SCREW 15/64-28 L=11	2				
62			WP0612516SD			WASHER 6.1X15.2X2.5	2				

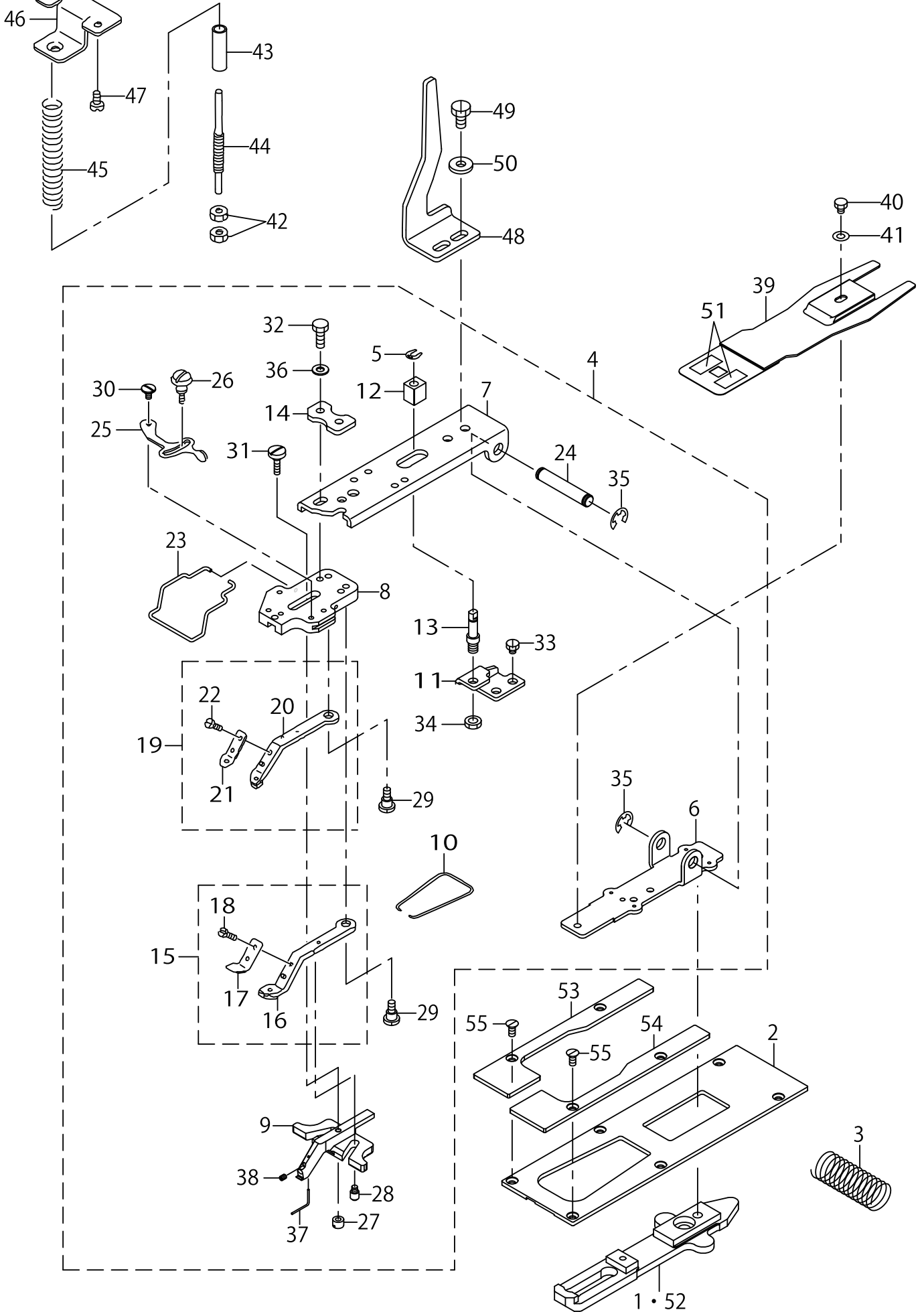
EXCLUSIVE PARTS FOR LK-1903B-BS-301, LK-1900B-BS, LK-1900B-BF(1)



EXCLUSIVE PARTS FOR LK-1903B-BS-301,LK-1900B-BS,LK-1900B-BF(1)

No.	C- ons	Le- vel	Parts No.	Replacement	Supply Code	Parts name	Qty	R- ep- Q- TY	Status	Spec	Remarks
1			40142785			COUNTER_WEIGHT_COMPL	1				FOR LK-1903B-
2		*	40142691			COUNTER_WEIGHT	1				
3		*	40010424			COUNTER_WEIGHT_SCREW	1				
4		*	40010425			COUNTER_WEIGHT_SCREW	1				
5		*	40010426			COUNTER_WEIGHT_SCREW	1				
6		*	WP0820516SP			WASHER 11.6X8.2X0.6	1				
7		*	40110841			THRUST_COLLAR_ASM.	1				
8		*	40110842			THRUST_COLLAR	1				
9		*	SM80506A2TP			SCREW M5 L=6	2				
10		*	40142786	40142785		THREAD TAKE UP COMPL	1	1.00			
11		*	40142701	40142689		LEFT_HAND_SCREW	1	1.00			
12		*	40142697	40142785		NEEDLE_BAR_CRANK_ROD.	1	1.00	選択部品	LK1903B	
12		*	40142697	40142689		NEEDLE_BAR_CRANK_ROD.	1	1.00	選択部品	LK1900B	
13		*	40142787			THREAD_TAKE_UP_ASM_3	1				
14		*	40142790			NEEDLE_BAR_CRANK_3	1				
15		*	40142807			TAKE_UP_CRANK_ASM_3	1				
16		*	RE0300000K0			E-RING 3	2				
17			40011949			CONNECTING ARM B	1				FOR LK-1903B-
18			14103352			INNER HOOK PRESSER ASM	1				
19	☆		40110846			SHUTTLE	1				
20	☆		SM6030500SN			SCREW M3 L=5	1				
21			RC0470611KP			RETAINING RING 4.7	1				FOR LK-1903B-
22			SD0640216TP			SHOULDER SCREW	1				FOR LK-1903B-
23			B2619372000	26028803		STOP MOTION TRIPPING L	1	1.00			FOR LK-1903B-
24			B185351200E			HOOK SHAFT WASHER	1				FOR LK-1903B-
25			SD0791276TP			SHOULDER SCREW	1				FOR LK-1903B-
26			40006937			WIPER CONNECTING PLAT	1				FOR LK-1903B-
27			40033047			WIPER ASM.	1				FOR LK-1903B-
28			SS5060310SP			SCREW 3/32-56 L=2.8	2				FOR LK-1903B-
29	☆		40009860			WIPER THREAD CATCH SF	1				FOR LK-1903B-
30	☆		40006525	40010574		NEEDLE BAR THREAD GUI	1	1.00			
31	☆		MDP170B1400			NEEDLE DPX17 #14	1				FOR LK-1900B-
32			SM6061802TP			SCREW M6 L=18	1				
33			40163512			PIPE ASM.	1				
34			40146853			SHUTTLE_B	1				
35			SM6030800SP			SCREW M3X0.5 L=8	2				
36			40153212			INNER_HOOK_UPPER_SPRIN	1				FOR LK-1903B-
37			40153213			LOWER_THREAD HOLDER.	1				FOR LK-1903B-
38			SM6020460TP			SCREW	2				
39			SM6020250TP			SCREW	2				FOR LK-1903B-
40			40146832			CYLINDER_ARM_CAP_ASM	1				
41		*	40146833			CYLINDER_ARM_CAP	1				
42		*	40142677	40142674		CYLINDER ARM CAP PLAT	1	1.00	選択部品		
42		*	40142677	40146832		CYLINDER ARM CAP PLAT	1	1.00	選択部品	LK1903B-BS-30	
43		*	SM3030552TN			SCREW M3 L=5	2				
44		*	13508700			HOOK COVER PRESSER SF	1				
45		*	26221101			HOOK COVER PRESSER SF	1				
46			MDP170B1100			NEEDLE DPX17 #11	1				FOR LK-1903B-
47			40146835			INNER_HOOK_UPPER_SPR	1				FOR LK-1900B-
48			40156963			THREADING DIAGRAM	1				FOR LK-1903B-
49			40163455			ABSORB PLATE	1				
50			BT0600401E0			TUBE	.37				
51			HX00314000D			SPIRAL TUBE	.08				

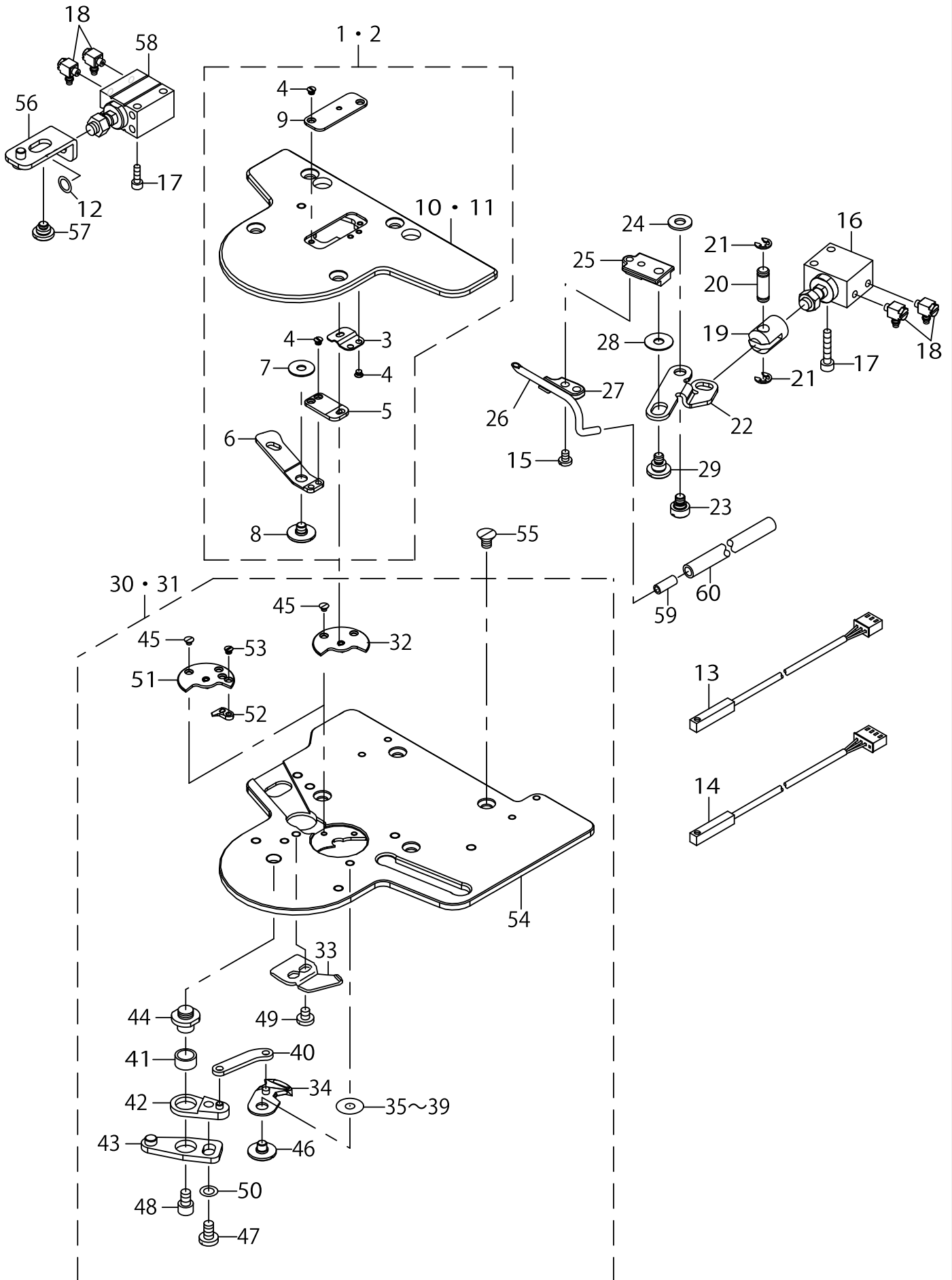
EXCLUSIVE PARTS FOR LK-1903B-BS-301,LK-1900B-BS,LK-1900B-BF(2)



EXCLUSIVE PARTS FOR LK-1903B-BS-301,LK-1900B-BS,LK-1900B-BF(2)

No.	C- ons	Le- vel	Parts No.	Replacement	Supply Code	Parts name	Qty	R- ep. Q- TY	Status	Spec	Remarks
1			14145106			CLOTH FEED PLATE	1				FOR LK-1903B-
2			40006935			CLOTH FEED PRESSER PL	1				FOR LK-1903B-
3			14148407			VERTICAL FEED SHAFT SF	1				FOR LK-1903B-
4			40146850			AVERY SMALL CLAMP ME	1				FOR LK-1903B-
5		*	D2548232D00			SNAP RING FOR CONNECT	1				
6		*	14146104			PICK-UP INSTALLING BASI	1				
7		*	14146203			PICK-UP FOOT INSTALLIN	1				
8		*	14146302			PICK-UP FOOT INSTALLIN	1				
9		*	40146812			BUTTON_CLAMP_SLIDE	1				
10		*	MAZ15513000			BUTTON CLAMP JAW LEV	1				
11		*	MAZ15514000			SUPPORT PLATE	1				
12		*	MAZ15515000			SLIDE BLOCK	1				
13		*	13540901			STATIONING BLOCK SHAF	1				
14		*	14146401			PRESSER PLATE	1				
15		*	MAZ158070BB			EXTRA SMALL CLAMP LEV	1				
16		*	MAZ158070AB	MAZ158070BB		EXTRA SMALL CLAMP LEV	1	1.00			
17	☆	*	MAZ15809000			SPRING (RIGHT)	1				
18		*	SS7090410SP			SCREW 9/64-40 L=3.5	1				
19		*	MAZ158080BB			EXTRA SMALL CLAMP LEV	1				
20		*	MAZ158080AB	MAZ158080BB		EXTRA SMALL CLAMP LEV	1	1.00			
21	☆	*	MAZ15810000			SPRING (LEFT)	1				
22		*	SS7090410SP			SCREW 9/64-40 L=3.5	1				
23		*	D3130M1YC00			FINGER GUARD	1				
24		*	14141402			INSTALLING SHAFT	1				
25		*	B2548372000			SNAP FASTENER CLAMP S	1				
26		*	B2549372000			CLAMP SCREW A	1				
27		*	B2553372000			NUT	1				
28		*	B2560372000			BUTTON CLAMP STOP PIN	2				
29		*	SD0640391TP			HINGE SCREW D=6.35 H=3.	2				
30		*	SD0550181SP			HINGE SCREW D=5.50 H=1.	1				
31		*	SD0550301SP			HINGE SCREW D=5.5 H=3	1				
32		*	SS9621413SP			SCREW 3/16-32 L=13.5	2				
33		*	SS9110460CP			SCREW 11/64-40 L=4	2				
34		*	NS6150310SP			NUT 15/64-28	1				
35		*	RE0700000K0			E-RING 7	2				
36		*	WP0501016SD			WASHER 5X10.5X1	2				
37		*	40146831			BUTTON_RISING_BAR	1				
38		*	SM8030412TP			SCREW	1				
39			40146828			PRESSURE PLATE	1				FOR LK-1903B-
40			SS9110543CP			SCREW 11/64-40 L=5.3	1				FOR LK-1903B-
41			WP0501016SD			WASHER 5X10.5X1	1				FOR LK-1903B-
42			22928808			NUT	2				FOR LK-1903B-
43			D2527232D00			SLEEVE	1				FOR LK-1903B-
44			14146906			ADJUSTING SHAFT	1				FOR LK-1903B-
45			13812003			PRESSURE SPRING	1				FOR LK-1903B-
46			13811906			ACCEPT PLATE (UPPER)	1				FOR LK-1903B-
47			SM5040855SN			SCREW	2				FOR LK-1903B-
48			MAZ15516000			MOVING PLATE	1				FOR LK-1903B-
49			SS9151120CP			SCREW 15/64-28 L=11	2				FOR LK-1903B-
50			WP0612516SD			WASHER 6.1X15.2X2.5	2				FOR LK-1903B-
51			40153218			SKID SHEET	1				FOR LK-1903B-
52			40153219			CLOTH_FEED_PLATE_1900B	1				FOR LK-1900B-
53			40153235			FEED_PLATE_SPACER_L	1				FOR LK-1900B-
54			40153234			FEED_PLATE_SPACER_R	1				FOR LK-1900B-
55			SM1040950TP			SCREW M4 L=9	4				FOR LK-1900B-

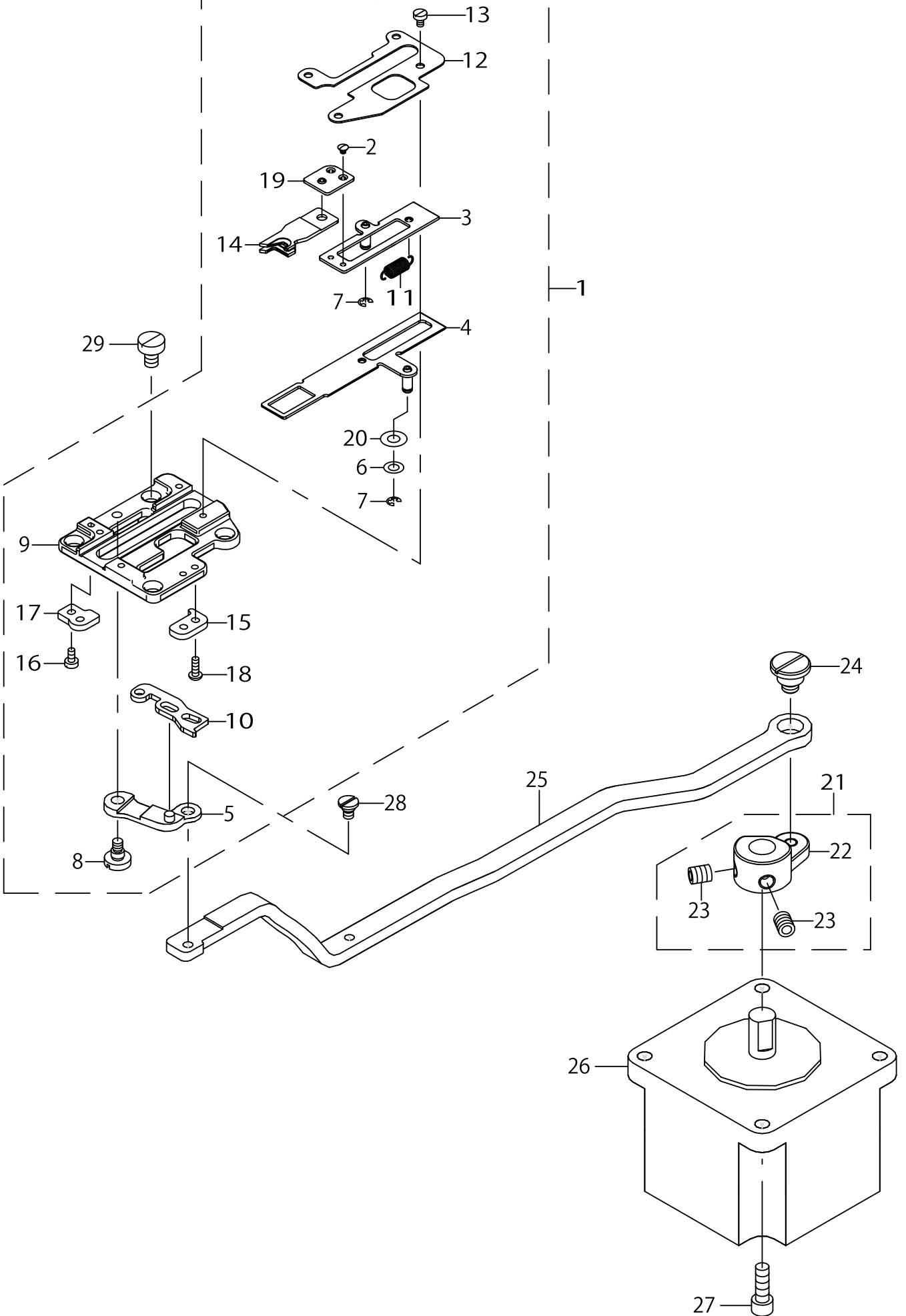
EXCLUSIVE PARTS FOR LK-1903B-BS-301,LK-1900B-BS,LK-1900B-BF(3)



EXCLUSIVE PARTS FOR LK-1903B-BS-301,LK-1900B-BS,LK-1900B-BF(3)

No.	C- ons	Le- vel	Parts No.	Replacement	Supply Code	Parts name	Qty	R- ep- Q- TY	Status	Spec	Remarks
1			40162729			NEEDLE PLATE UPPER ASM	1				FOR LK-1903B-
2			40162730			NEEDLE PLATE UPPER ASM	1				FOR LK-1900B-
3	☆	*	40162660			FIXING KNIFE	1				
4		*	SS1060210TP			SCREW 3/32-56 L=2.2	6				
5	☆	*	40146806			MOVING_KNIFE	1				
6		*	40162659			MOVING_KNIFE_BASE	1				
7		*	B2423280000	B242328000C		WASHER	1	1.00			
8		*	SD0500091TP			HINGE SCREW D=5.0 H=0.9	1				
9		*	40162662			NEEDLE HOLE GUIDE B	1				
10		*	40162687			KNIFE_BASE_03BB	1				FOR LK-1903B-
11		*	40162688			KNIFE_BASE_00BB	1				FOR LK-1900B-
12			WP0510516SD			WASHER 5.1X7.5X0.5	1				
13			40157670			SUTO SWITCH A ASM.	1				
14			40153195			AUT SWITCH B ASM.	1				
15			SM6030650TP			SCREW	2				
16			PA1000601A0			AIR CYLINDER	1				
17			SM6031602TP			SCREW	4				
18			PJ046039001			ELBOW	4				
19			40146827			CYLINDER_KNUCKLE	1				
20			40023635			CYLINDER PIN	1				
21			RE0300000K0			E-RING 3	2				
22			40146826			VACUUM_LINK	1				
23			SD0500166TP			SHOULDER SCREW D=5 H=	1				
24			WP0451026SH			WASHER	1				
25			40146809			GUIDE_BLOCK	1				
26			40146824			VACUUM_PIPE	1				
27			40146825	40146823		VACUUM_PIPE_PLATE	1	1.00			
28			WP0420516KH			THRUST WASHER 4.2	1				
29			SD0600326TP			SHOULDER SCREW D=6 H=	1				
30			40162731			NEEDLE PLATE ASM. 03BB	1				FOR LK-1903B-
31			40162732			NEEDLE PLATE ASM. 00BB	1				FOR LK-1900B-
32	☆	*	40162664			GUIDE 03BB	1				FOR LK-1903B-
33	☆	*	B2424280000			FIXING KNIFE	1				
34	☆	*	B24212800A0			MOVING KNIFE ASM.	1				
35		*	B242328000A			MOVING KNIFE WASHER A	1				SELECTIVE PAF
36		*	B242328000B			MOVING KNIFE WASHER B	1				SELECTIVE PAF
37		*	B242328000C			MOVING KNIFE WASHER C	1				SELECTIVE PAF
38		*	B242328000D			MOVING KNIFE WASHER D	1				SELECTIVE PAF
39		*	B242328000E			MOVING KNIFE WASHER E	1				SELECTIVE PAF
40		*	B2418280000			MOVING KNIFE LINK	1				
41		*	B2416280000			THREAD CUTTING LEVER	1				
42		*	B24152800A0			THREAD CUTTER LEVER A	1				
43		*	B24142800A0			THREAD CUTTER LEVER A	1				
44		*	B2417280000			THREAD CUTTER LEVER S	1				
45		*	SS1060210TP			SCREW 3/32-56 L=2.2	2				
46		*	SD0500091TP			HINGE SCREW D=5.0 H=0.9	1				
47		*	SS7110740TP			SCREW 11/64-40 L=7	1				
48		*	SS6110430TP			SCREW 11/64-40 L=4.0	1				
49		*	SS7090410SP			SCREW 9/64-40 L=3.5	2				
50		*	WP0450846SP			WASHER	1				
51		*	40162665		Disconinue	GUIDE 00BB	1				FOR LK-1900B-
52		*	40163515			KNIFE	1				FOR LK-1900B-
53		*	SS1060210TP			SCREW 3/32-56 L=2.2	2				FOR LK-1900B-
54		*	40158171			NEEDLE PLATE	1				
55		*	SM1040650TP			SCREW	4				
56			40158169			CYLINDER GUIDE ASM.	1				
57			SD0600207TP			SHOULDER SCREW	1				
58			PA1000402A0			AIR CYLINDER	1				
59			BT0400251EB			URETHANE HOSE, BLACK	.01				
60			BT0600401E0			TUBE	.29				

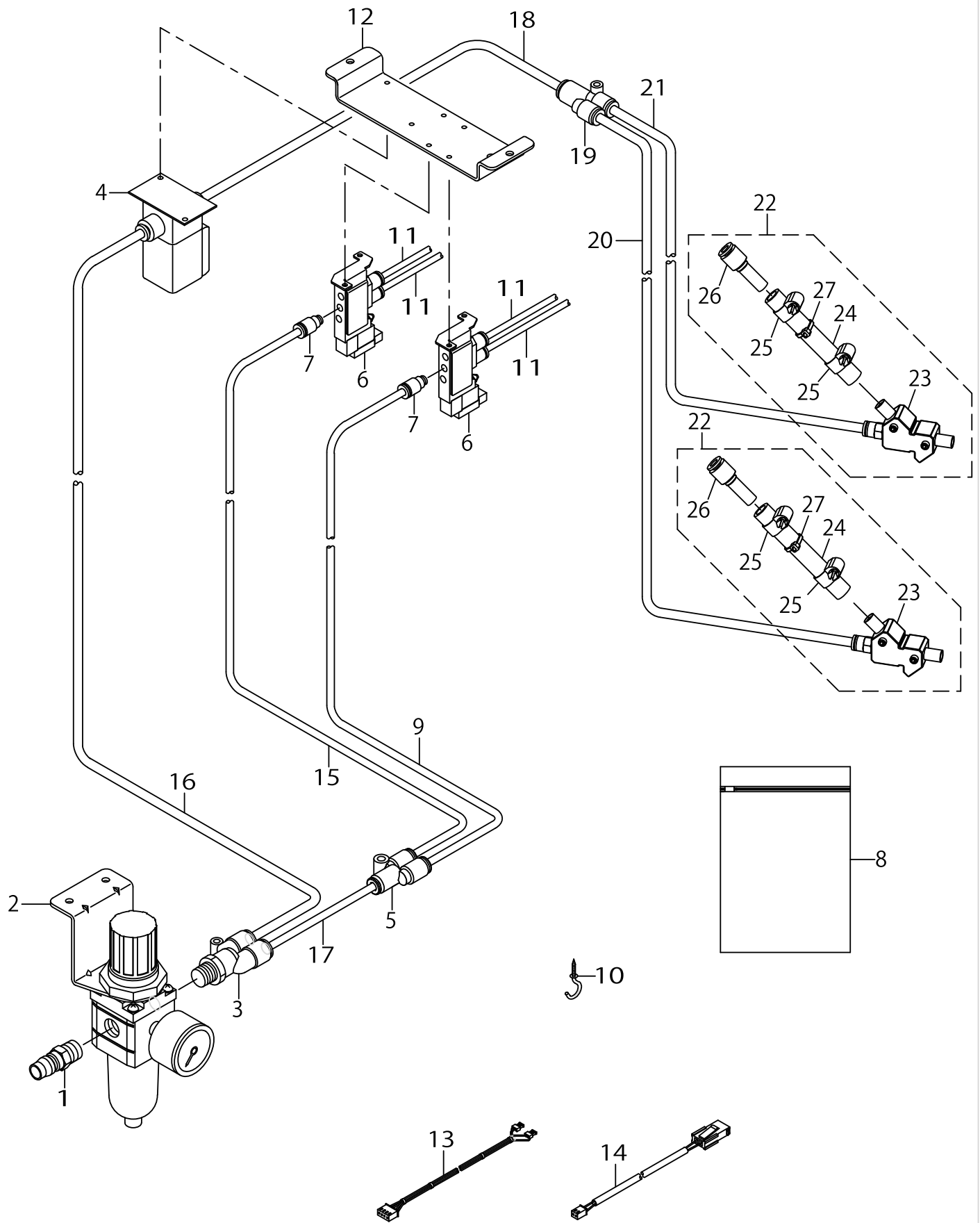
EXCLUSIVE PARTS FOR LK-1903B-BS-301,LK-1900B-BS,LK-1900B-BF(4)



EXCLUSIVE PARTS FOR LK-1903B-BS-301,LK-1900B-BS,LK-1900B-BF(4)

No.	C- ons	Le- vel	Parts No.	Replacement	Supply Code	Parts name	Qty	R- ep. Q- TY	Status	Spec	Remarks
1			40163528			TC_CLAMP_UNIT_ASM.	1				
2		*	SM2360110TP			SCREW	2				
3		*	40006762			TC_CLAMP_PLATE_ASM	1				
4		*	40006765			TC_SUPPERT_PLATE_ASM	1				
5		*	40015800			TC_LINK_ASM.	1				
6		*	WP0320500SC			WASHER M3	2				
7		*	RE0200000K0			E-RING	2				
8		*	SD0400266TP			HINGE SCREW D=4 H=2.6	1				
9		*	40010589			TC_BASE	1				
10		*	40146838			TC_CAM_PLATE	1				
11		*	40146836			TC_SPRING	1				
12		*	40006781			TC_BASE_COVER	1				
13		*	SM6020350SP			SCREW M2 L=2.5	4				
14		*	40163514			TC_CLAMP	1				
15		*	40146837			TC_NOTCH_R	1				
16		*	SM6020450TP			SCREW	2				
17		*	40030942			TC_NOTCH_F_H	1				
18		*	SM4020600SP			SCREW M2 L=6	2				
19		*	40012815			TC_JOINT_ASM.	1				
20		*	WP0370316SD			WASHER 3.7X8X0.3	1				
21			40142738			TC_DRIVING_ARM_ASM	1				
22		*	40142739			TC_DRIVING_ARM	1				
23		*	40011152	40010527		TC_ARM_SCREW	2	1.00			
24			SD0800407TP			SHOULDER SCREW	1				
25			40006776			TC_CONNECTING_LINK	1				
26			40139179			THREAD_CLAMP_MOTOR	1				
27			SM6041202TP			SCREW M4X0.7 L=12	4				
28			SD0350156TP			SHOULDER SCREW	1				
29			SM6040650TP			SCREW	4				

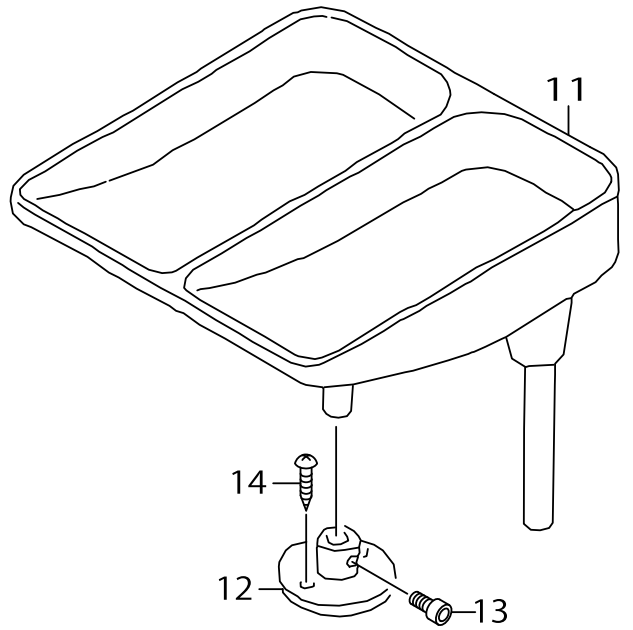
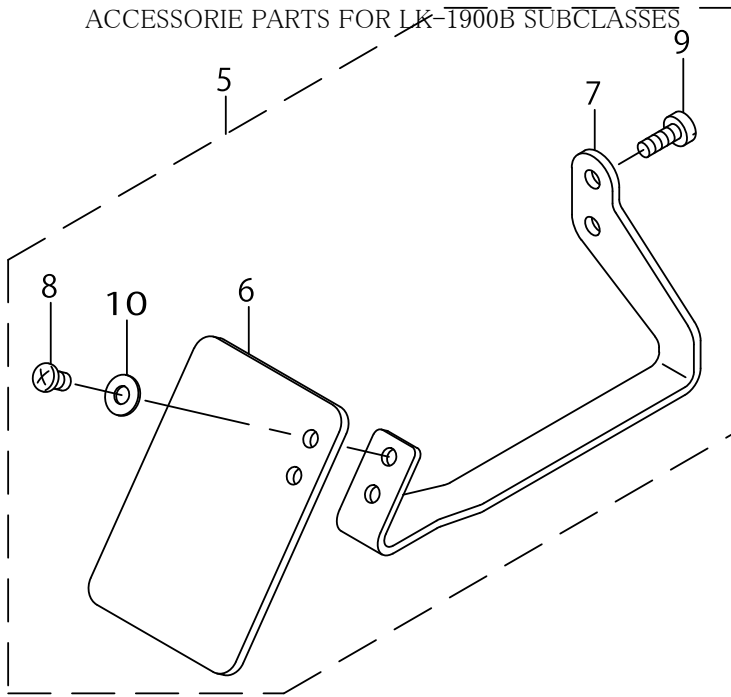
AIR COMPONENTS



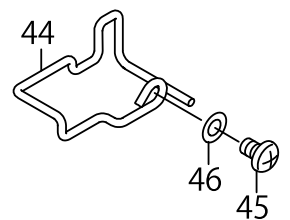
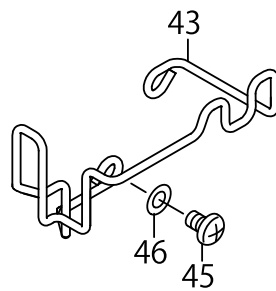
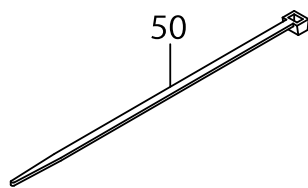
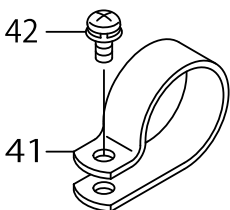
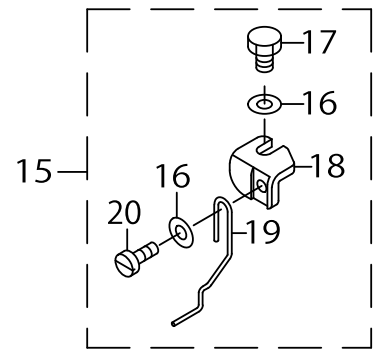
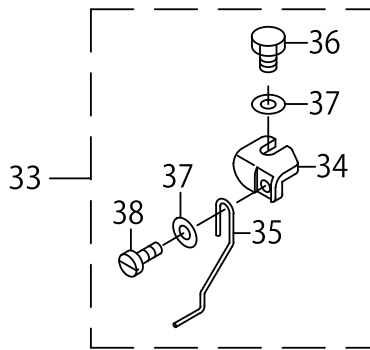
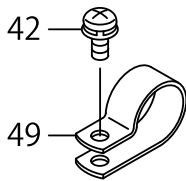
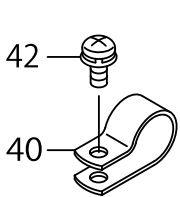
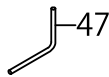
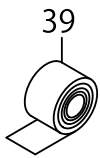
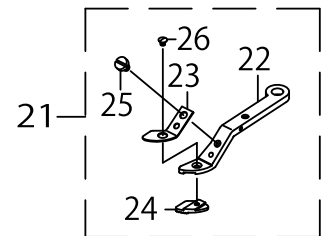
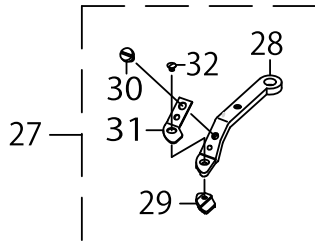
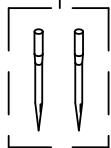
AIR COMPONENTS

No.	C- ons	Le- vel	Parts No.	Replacement	Supply Code	Parts name	Qty	R- ep. Q- TY	Status	Spec	Remarks
1			PJ025200004			PLUG	1				
2			40163610			FILTER REGULATOR ASM.	1				
3			PJ308085202			UNION Y	1				
4			PV120206000			2-PORT SOLENOID VALVE	1				
5			PJ308080003			Y-UNION	1				
6			PV1502060A0			5 PORT MAGNETIC TRANS	2				
7			PJ210006100			HALF UNION	2				
8			40139091			DUST_BAG	1				
9			BT0600401EB			TUBE	1.2				
10			D2113555B00			CORD SET HOOK B	1				
11			BT0400251EB			URETHANE HOSE BLACK	3				
12			40146839			SOLENOID_VALVE_ADJUST	1				
13			40153196			AIR SOLENOID VALVE COI	1				
14			40153197			AIR SOLENOID VALVE COI	1				
15			BT0600401EB			TUBE	.2				
16			BT0800501EB			VINYL TUBE	.3				
17			BT0800501EB			VINYL TUBE	.15				
18			BT0800501EB			VINYL TUBE	.15				
19			PJ308080003			Y-UNION	1				
20			BT0600401EB			TUBE	.2				
21			BT0600401EB			TUBE	.2				
22			40153246			TUBE ASM. 4	2				
23	*		40153248			NOZZLE ASM.	1				
24	*		BT1200801EF			TUBE	0.7				
25	*		16121907			HOSE BAND	2				
26	*		PJ301060003			REDUCER	1				
27	*		EA9500B0100			CABLE BAND	1				

ACCESSORIE PARTS FOR LK-1900B SUBCLASSES



1~4 • 48

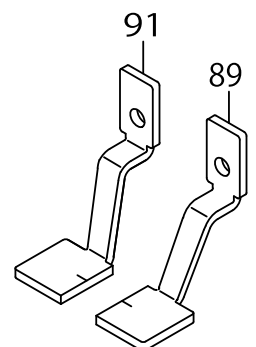
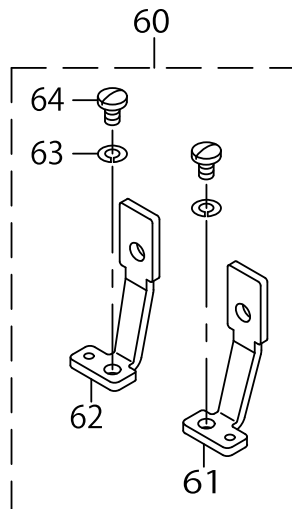
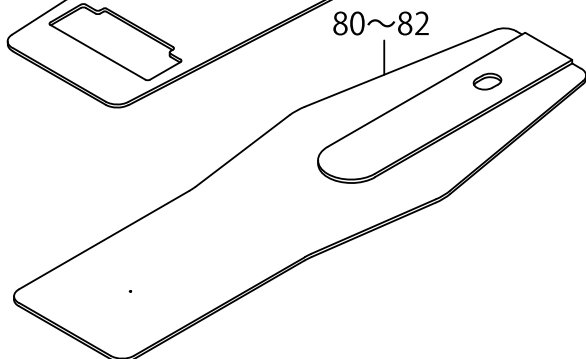
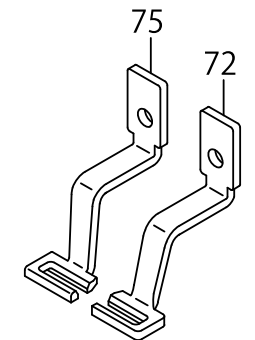
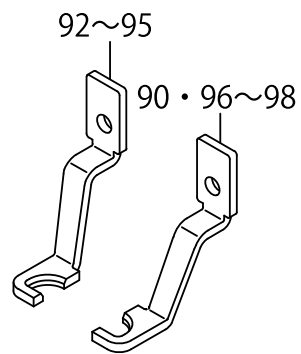
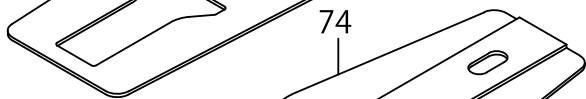
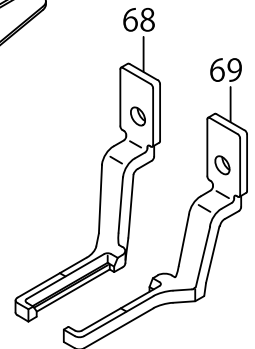
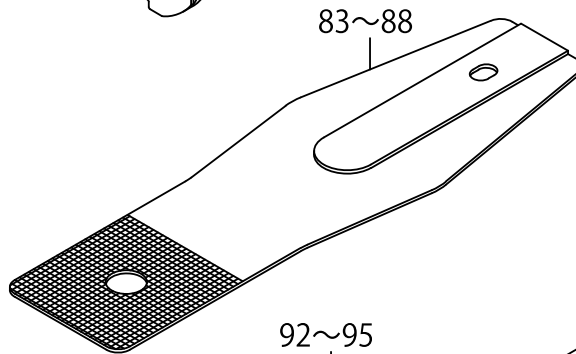
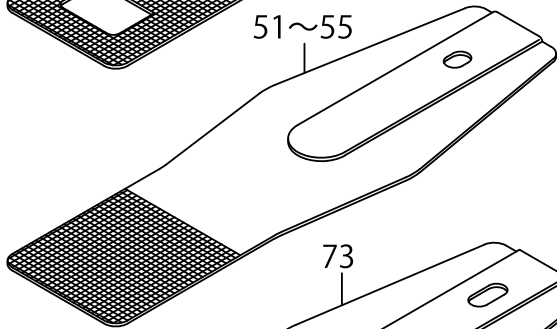
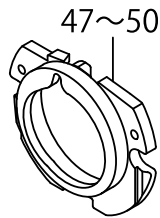
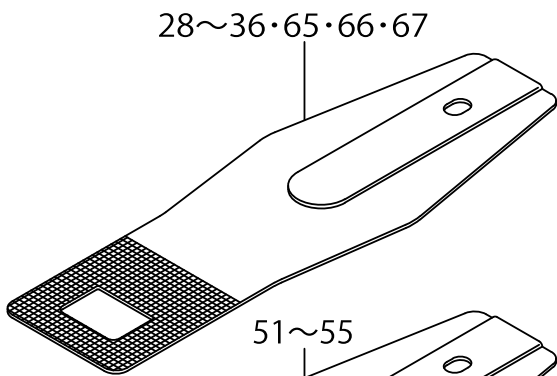
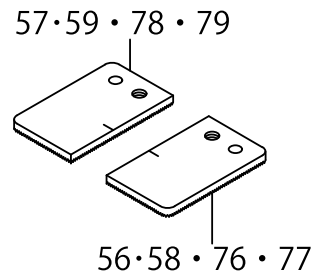
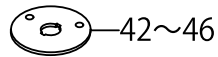
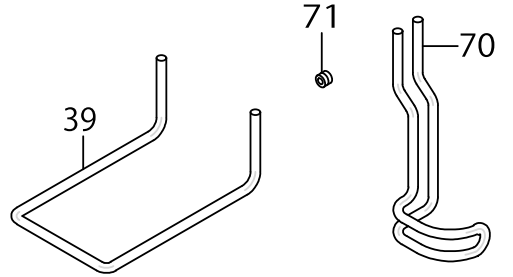
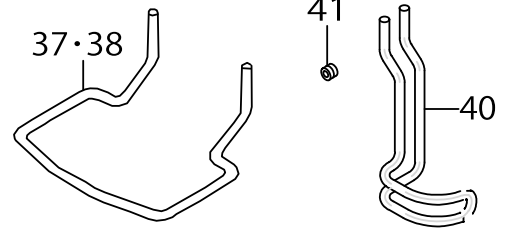
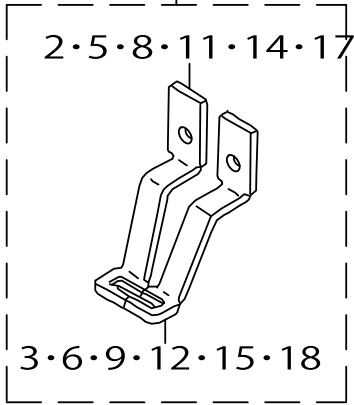
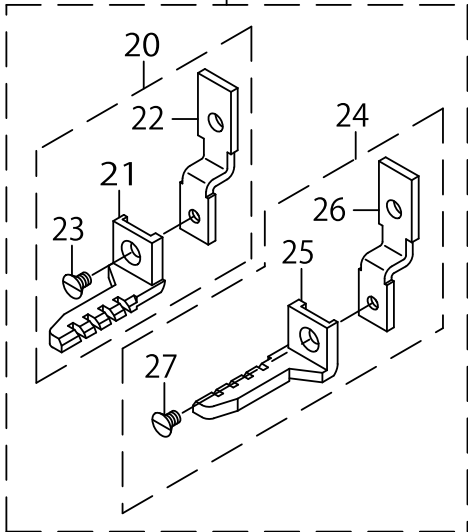


ACCESSORIE PARTS FOR LK-1900B SUBCLASSES

No.	C- ons	Le- vel	Parts No.	Replacement	Supply Code	Parts name	Qty	R- ep- Q- TY	Status	Spec	Remarks
1	☆		MDP500B1402	MDP500B1400		NEEDLE DPX5#14-2	1	1.00			FOR LK-1901BS
2	☆		MDP500B1602		Disconinue	NEEDLE DPX5#16-2	1				FOR LK-1901BS
3	☆		MDP170B2102			NEEDLE DPX17#21-2	1				FOR LK-1902BF
4	☆		MDP170B1402	MDP170B1400		NEEDLE DPX17#14-2	1	1.00			FOR LK-1903BS
5			40006485			SAFETY PLATE ASM. B	1				FOR LK-1902BS
6		*	13889407			SAFETY PLATE	1				
7		*	40052810			SAFETY PLATE INSTALLIN	1				
8		*	SM4040655SP			SCREW M4 L=6	2				
9		*	SM6041150TP			SCREW	2				
10		*	WP0450801SD			WASHER 4.5X10X0.8	2				
11			17848458			BUTTON TRAY ASM.	1				FOR LK-1903BS
12			40033635			BUTTON TRAY BASE	1				FOR LK-1903BS
13			SM6061202TP			SCREW M6 L=12	1				FOR LK-1903BS
14			SK3412001SE			WOOD SCREW D=4.1 L=20	2				FOR LK-1903BS
15			14146757			BUTTON RISING BAR ASM.	1				FOR LK-1903BS
16		*	WP0370316SD			WASHER 3.7X8X0.3	2				
17		*	SS9090813TP			SCREW 9/64-40 L=8	1				
18		*	14146807			INSTALLING BASE	1				
19	☆	*	14146708			BUTTON RISING BAR	1				
20		*	SS6080340SP			SCREW 1/8-44 L=2.9	1				
21			14148852			SMALL CLAMP JAW LEVEF	1				FOR LK-1903BS
22		*	MAZ15507000	MAZ155070A0		SMALL CLAMP JAW LEVEF	1	1.00			
23	☆	*	MAZ15509000			SPRING (RIGHT)	1				
24		*	14148803	14148852		PLATE K (RIGHT)	1	1.00			
25		*	SS7090410SP			SCREW 9/64-40 L=3.5	1				
26		*	SS2060310SP			SCREW 3/32-56 L=3	1				
27			14148951			SMALL CLAMP JAW LEVEF	1				FOR LK-1903BS
28		*	MAZ15508000	MAZ155080A0		SMALL CLAMP JAW LEVEF	1	1.00			
29		*	14148902	14148951		PLATE K (LEFT)	1	1.00			
30		*	SS7090410SP			SCREW 9/64-40 L=3.5	1				
31	☆	*	MAZ15510000			SPRING (LEFT)	1				
32		*	SS2060310SP			SCREW 3/32-56 L=3	1				
33			40153216			BUTTON RISING BAR ASM.	1				FOR LK-1903B-
34		*	40153214			INSTALLING BASE	1				
35	☆	*	40153215			BUTTON RISING BAR	1				
36		*	SS9090813TP			SCREW 9/64-40 L=8	1				
37		*	WP0370316SD			WASHER 3.7X8X0.3	2				
38		*	SS6080340SP			SCREW 1/8-44 L=2.9	1				
39			40153218			SKID SHEET	1				FOR LK-1903B-
40			HX00150000F			CABLE CLIP	2				FOR LK-1903B-
41			HX00150000N			CABLE CLIP	1				FOR LK-1903B-
42			SL4041091SC			SCREW M4 L=10	4				FOR LK-1903B-
43			40151278			FINGER_GUARD_RIGHT	1				FOR LK-1903B-
44			40151279			FINGER_GUARD_LEFT	1				FOR LK-1903B-
45			SM4040655SP			SCREW M4 L=6	3				FOR LK-1903B-
46			WP0430800SC			WASHER M4	3				FOR LK-1903B-
47	☆		40146831			BUTTON_RISING_BAR	1				FOR LK-1903B-
48			MDP170B1102			NEEDLE DPX17#11-2	1				FOR LK-1903B-
49			HX00150000H			CABLE CLIP	1				FOR LK-1903B-
50			EA9500B0100			CABLE BAND	6				

OPTION COMPONENTS (1)

1·4·7·10·13·16

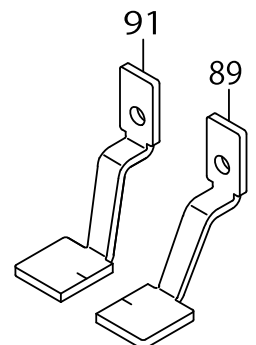
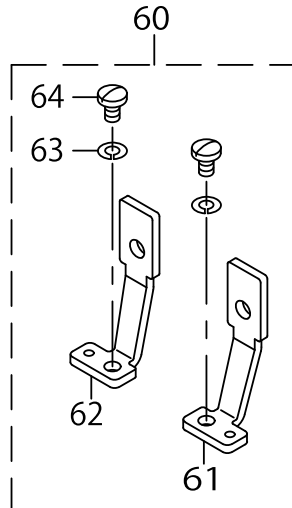
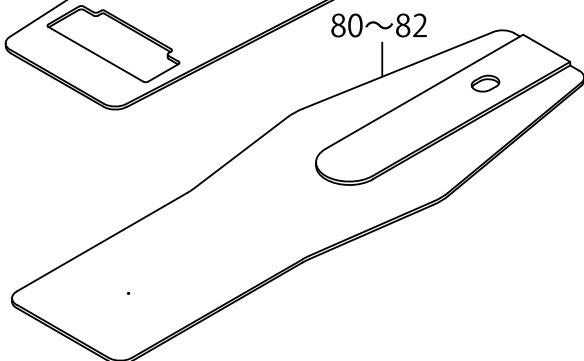
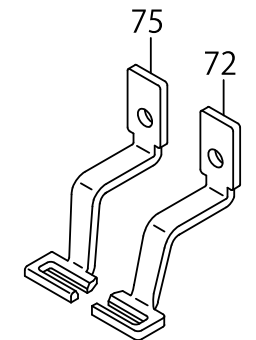
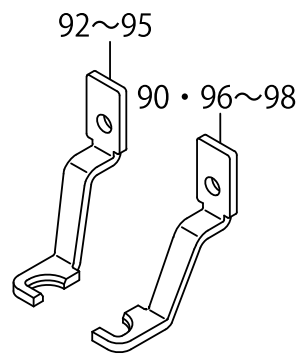
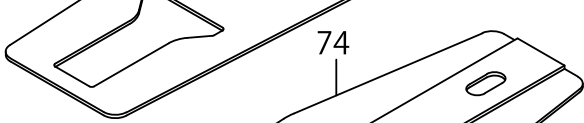
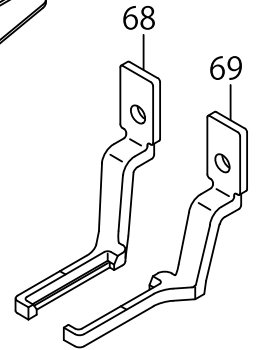
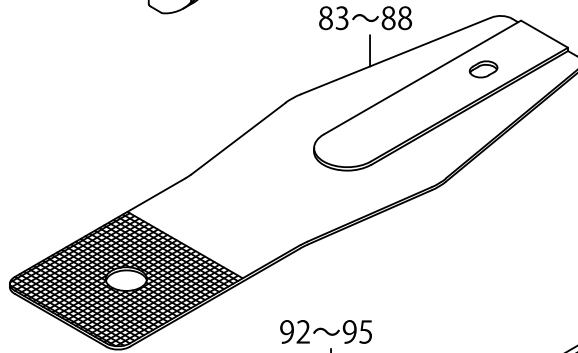
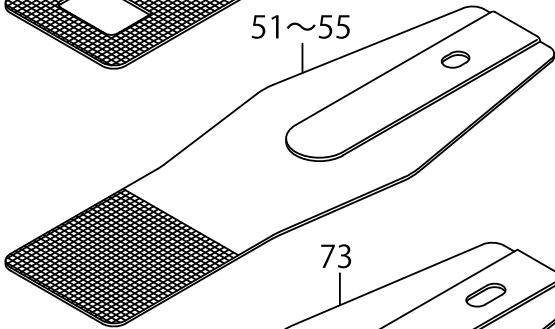
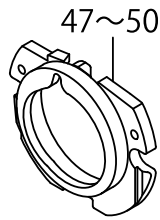
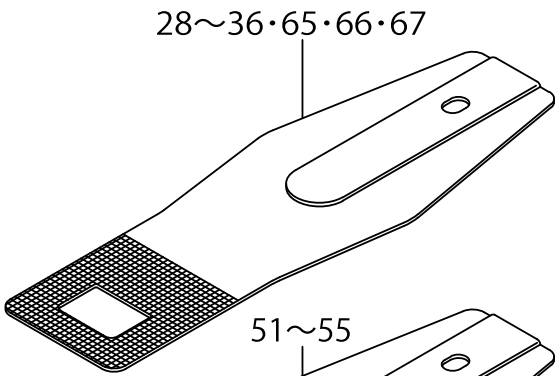
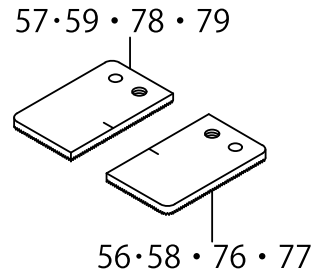
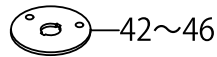
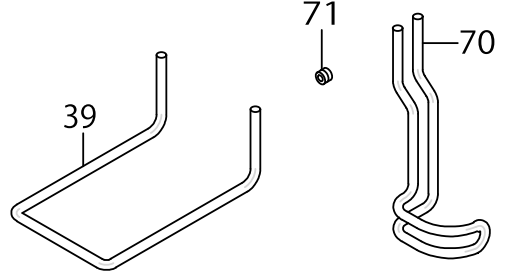
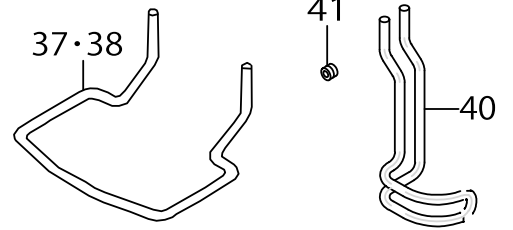
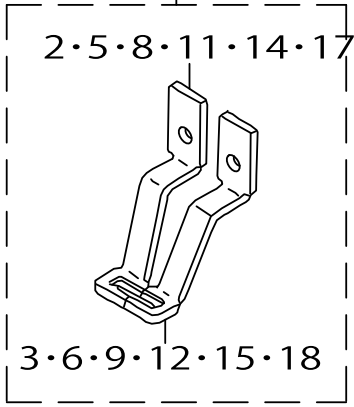
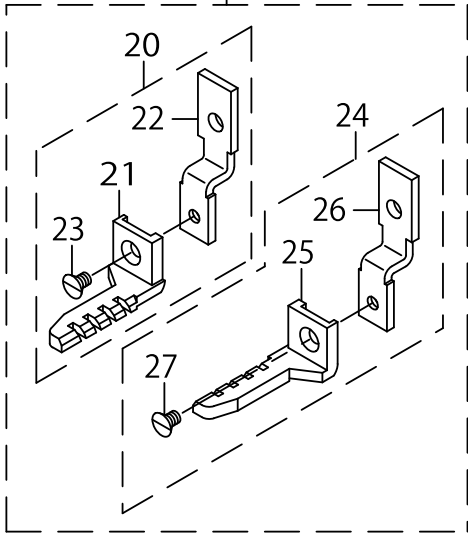


OPTION COMPONENTS (1)

No.	C- ons	Le- vel	Parts No.	Replacement	Supply Code	Parts name	Qty	R- ep. Q- TY	Status	Spec	Remarks
1			13518659			WORK CLAMP FOOT ASM.	1				
2		*	13518600			WORK CLAMP FOOT (RIGH	1				
3		*	13518709			WORK CLAMP FOOT (LEF'	1				
4			13548557			WORK CLAMP FOOT ASM.	1				
5		*	13548508			WORK CLAMP FOOT (RIGH	1				
6		*	13548607			WORK CLAMP FOOT (LEF'	1				
7			13548151			CLOTH PRESSER FOOT AS	1				
8		*	13548102			WORK CLAMR FOOT (RIGH	1				
9		*	13548201			WORK CLAMR FOOT (LEF'	1				
10			13542451			WORK CLAMP FOOT ASM.	1				
11		*	13542402			WORK CLAMP FOOT (RIGH	1				
12		*	13542501			WORK CLAMP FOOT (LEF'	1				
13			13542964			PRESSER ASM.	1				
14		*	13542915			WORK CLAMP FOOT (RIGH	1				
15		*	13543012			WORK CLAMP FOOT (LEF'	1				
16			13571955			WORK CLAMP FOOT ASM.	1				
17		*	13571906	13571955		CLOTH PRESSER FOOT (RI	1	1.00			
18		*	13572003	13571955		CLOTH PRESSER FOOT (LI	1	1.00			
19			13561360			WORK CLAMP FOOT ASM.	1				
20		*	13561352			WORK CLAMP FOOT ASM.	1				
21		*	13561303			CLOTH PRESSER FOOT (RI	1				
22		*	13562509			PRESSER FOOT SLIDING PI	1				
23		*	SS1110640TP			SCREW 11/64-40 L=5.5	1				
24		*	13561451			WORK CLAMP FOOT ASM.	1				
25		*	13561402			CLOTH PRESSER FOOT (LI	1				
26		*	13562608			PRESSER FOOT SLIDING PI	1				
27		*	SS1110640TP			SCREW 11/64-40 L=5.5	1				
28			14116107			FEED PLATE A	1				
29			14116404			FEED PLATE D	1				
30			14116305			FEED PLATE C	1				
31			13548003			FEED PLATE	1				
32			13554506			FEED PLATE	1				
33			14116602			FEED PLATE F	1				
34			14116206			FEED PLATE B	1				
35			14116503			FEED PLATE E	1				
36			14116701			FEED PLATE G	1				
37			13533104	26224204		FINGER GUARD	1	1.00			
38			13548300			FINGER GUARD	1				
39			13573407			FINGER GUARD	1				
40			14120000			FINGER GUARD	1				
41			SM8040302TP			SETSCREW	1				
42	☆		B2426280000			NEEDLE HOLE GUIDE	1				
43	☆		B242628000B			NEEDLE HOLE GUIDE B	1				
44	☆		14109607			NEEDLE HOLE GUIDE	1				
45	☆		D2426282C00			NEEDLE HOLE GUIDE	1				
46	☆		D2426MMCK00			NEEDLE HOLE GUIDE	1				
47			14103253			INNER HOOK PRESSER ASM	1				
48			14103352			INNER HOOK PRESSER ASM	1				
49			14103659			SHUTTLE RACE RING ASM	1				
50			B1817210DAD			SHUTTLE RACE RING ASM	1				
51			14120109			FEED PLATE BLANK A	1				
52			14120208			FEED PLATE BLANK B	1				
53			14120505			FEED PLATE BLANK C	1				
54			14120307			FEED PLATE BLANK D	1				
55			14120406			FEED PLATE BLANK E	1				
56			14121701			CLOTH PRESSER BLANK R	1				
57			14121800			CLOTH PRESSER BLANK L	1				
58			14121909			CLOTH PRESSER BLANK R	1				
59			14122006			CLOTH PRESSER BLANK L	1				
60			14121263			WORK CLAMP FOOT ASM.	1				

OPTION COMPONENTS (1)

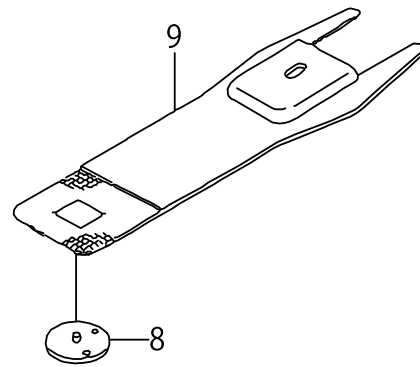
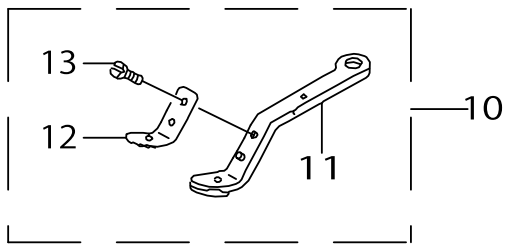
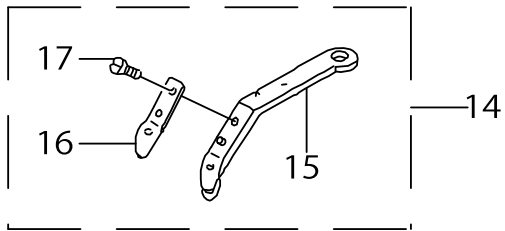
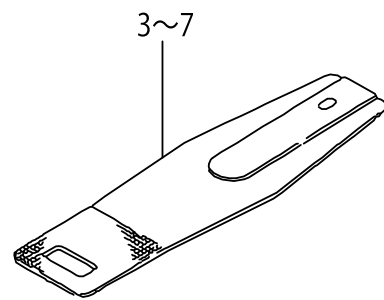
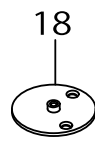
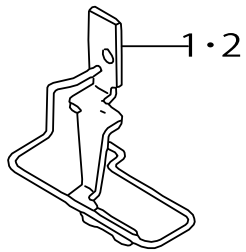
1·4·7·10·13·16



OPTION COMPONENTS (1)

No.	C- ons	Le- vel	Parts No.	Replacement	Supply Code	Parts name	Qty	R- ep. Q- TY	Status	Spec	Remarks
61		*	14121255			WORK CLAMP FOOT ASM.	1				
62		*	14121354			WORK CLAMP FOOT ASM.	1				
63		*	WS0451040KP			SPRING WASHER 4.5X8.5X1	2				
64		*	SS7110710SP			SCREW 11/64-40 L=7	2				
65			14116800			FEED PLATE H	1				
66			14116909			FEED PLATE I	1				
67			13554803			FEED PLATE	1				
68			14137608			WORK CLAMP FOOT A (LE	1				
69			14137509			WORK CLAMP FOOT A (RI	1				
70			14135305			FINGER GUARD	1				
71			SM8040302TP			SETSCREW	1				
72			14137806			CLOTH PRESSER FOOT B (1				
73			14137707			CLOTH PRESSER LOWER F	1				
74			14138002			CLOTH PRESSER LOWER F	1				
75			14137905			CLOTH PRESSER FOOT B (1				
76			40021851			WORK CLAMP BLANK RIGI	1				
77			40021853			WORK CLAMP BLANK RIGI	1				
78			40021852			WORK CLAMP BLANK LEF	1				
79			40021854			WORK CLAMP BLANK LEF	1				
80			40021855			FEED PLATE A(NO GIZA/P	1				
81			40021856			FEED PLATE B(NO GIZA/N	1				
82			40021857			FEED PLATE C(NO GIZA/S	1				
83			40021858			FEED PLATE D(GIZA/PLA	1				
84			40021859			FEED PLATE E(GIZA/NO P	1				
85			40021873			FEED PLATE D9-14	1				
86			40021876			FEED PLATE 12	1				
87			40021879			FEED PLATE 10	1				
88			40021882			FEED PLATE 14	1				
89			40021870			WORK CLAMP FOOT BLAN	1				
90			40021872			WORK CLAMP FOOT D9-1	1				
91			40021869			WORK CLAMP FOOT BLAN	1				
92			40021871			WORK CLAMP FOOT D9-1	1				
93			40021874			WORK CLAMP FOOT 12 (R	1				
94			40021877			WORK CLAMP FOOT 10 (R	1				
95			40021880			WORK CLAMP FOOT 14 (R	1				
96			40021875			WORK CLAMP FOOT 12 (L	1				
97			40021878			WORK CLAMP FOOT 10 (L	1				
98			40021881			WORK CLAMP FOOT 14 (L	1				

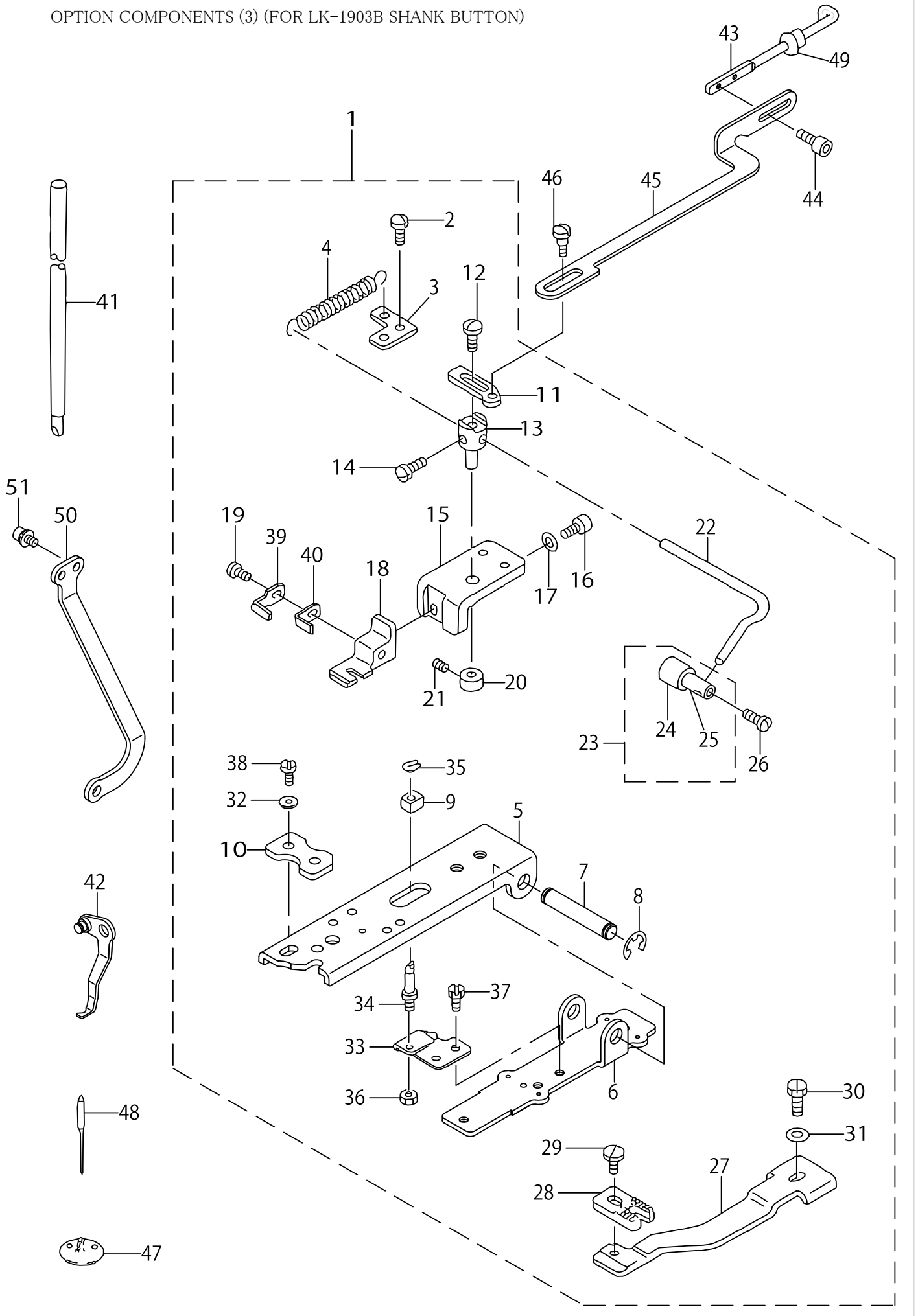
OPTION COMPONENTS (2) (FOR LK-1902B,LK-1903B)



OPTION COMPONENTS (2) (FOR LK-1902B,LK-1903B)

No.	C- ons	Le- vel	Parts No.	Replacement	Supply Code	Parts name	Qty	R- ep. Q- TY	Status	Spec	Remarks
1			13545660			WORK CLAMP FOOT ASM.	1				FOR LK-1902B
2			13547161			WORK CLAMP FOOT ASM.	1				FOR LK-1902B
3			13545504			FEED PLATE	1				FOR LK-1902B
4			13545801			FEED PLATE	1				FOR LK-1902B
5			13547005			FEED PLATE	1				FOR LK-1902B
6			13546700			CLOTH PRESSER PLATE	1				FOR LK-1902B
7			13548706			CLOTH PRESSER LOWER F	1				FOR LK-1902B
8	☆		MAZ15701000			GUIDE	1				FOR LK-1903B
9			MAZ15702000			PRESSURE PLATE	1				FOR LK-1903B
10			MAZ157070BB			LARGE CLAMP JAW LEVEF	1				FOR LK-1903B
11		*	MAZ157070AB	MAZ157070BB		LARGE CLAMP JAW LEVEF	1	1.00			
12	☆	*	MAZ15709000			SPRING (RIGHT)	1				
13		*	SS7090410SP			SCREW 9/64-40 L=3.5	1				
14			MAZ157080BB			LARGE CLAMP JAW LEVEF	1				FOR LK-1903B
15		*	MAZ157080AB	MAZ157080BB		LARGE CLAMP JAW LEVEF	1	1.00			
16	☆	*	MAZ15710000			SPRING (LEFT)	1				
17		*	SS7090410SP			SCREW 9/64-40 L=3.5	1				
18	☆		14149603			GUIDE	1				FOR LK-1903B

OPTION COMPONENTS (3) (FOR LK-1903B SHANK BUTTON)



OPTION COMPONENTS (3) (FOR LK-1903B SHANK BUTTON)

No.	C- ons	Le- vel	Parts No.	Replacement	Supply Code	Parts name	Qty	R- ep. Q- TY	Status	Spec	Remarks
1			14146054			PICK-UP DEVICE COMPL.	1				
2		*	SS7110740TP			SCREW 11/64-40 L=7	2				
3		*	MAZ16012000			LEVER SPRING HOOK	1				
4		*	MAZ16013000			BUTTON SUPPORT LEVER	1				
5		*	14146203			PICK-UP FOOT INSTALLIN	1				
6		*	14146104			PICK-UP INSTALLING BASI	1				
7		*	14141402			INSTALLING SHAFT	1				
8		*	RE0700000K0			E-RING 7	2				
9		*	MAZ15515000			SLIDE BLOCK	1				
10		*	14146401			PRESSER PLATE	1				
11		*	MAZ16014000			BUTTON SUPPORT RELEA:	1				
12		*	SS7110740TP			SCREW 11/64-40 L=7	1				
13		*	MAZ16011000			BUTTON SUPPORT LEVER	1				
14		*	SS7110740TP			SCREW 11/64-40 L=7	1				
15		*	MAZ16004000			BUTTON CLAMP BASE	1				
16		*	SS6111052TP			SCREW	1				
17		*	WP0482086SD			WASHER 4.8X11.5X2	1				
18		*	MAZ16005000			BUTTON CLAMP BASE	1				
19		*	SS7090510SP			SCREW 9/64-40 L=4.6	1				
20		*	CS0640811SP			THRUST COLLAR D=6.35 W	1				
21		*	SS8110410TP			SCREW 11/64-40 L=3.5	1				
22		*	MAZ16010000			BUTTON SUPPORT LEVER	1				
23		*	MAZ160090A0			BUTTON SUPPORT RUBBE	1				
24		*	MAZ16009000			BUTTON SUPPORT RUBBE	1				
25		*	B2406372000			SHANK BUTTON HOLDING	1				
26		*	SS7110740TP			SCREW 11/64-40 L=7	1				
27		*	MAZ16002000			FEED PLATE	1				
28		*	MAZ1600300A			FEED PLATE A	1				
29		*	SS6110480SP			SCREW 11/64-40 L=4.3	1				
30		*	SS9111010SP			SCREW 11/64-40 L=9.5	1				
31		*	WP0482086SD			WASHER 4.8X11.5X2	1				
32		*	WP0501016SD			WASHER 5X10.5X1	2				
33		*	MAZ15514000			SUPPORT PLATE	1				
34		*	13540901			STATIONING BLOCK SHAF	1				
35		*	D2548232D00			SNAP RING FOR CONNECT	1				
36		*	NS6150310SP			NUT 15/64-28	1				
37		*	SS9110460CP			SCREW 11/64-40 L=4	2				
38		*	SS9621413SP			SCREW 3/16-32 L=13.5	2				
39		*	MAZ16022000			BUTTON CLAMP SUPPORT	1				
40		*	MAZ16023000			BUTTON CLAMP SUPPORT	1				
41			D1401M1YC0A			NEEDLE BAR	1				
42			MAZ160170A0			WIPER ASM.	1				
43			13810908			MOVING PLATE LINK A	1				
44			SS6090612TP			SCREW 9/64-40 L=6	2				
45			MAZ16015000			BUTTON SUPPORT LINK	1				
46			SD0640321TP			HINGE SCREW D=6.35 H=3.	1				
47	☆		MAZ16021000			NEEDLE HOLE GUIDE	1				
48	☆		MTQ300B1400			NEEDLE TQX3 #14	1				
49			14148209			BUSHING	1				
50			40010103			CONNECTING LINK	1				
51			SL6040892TN			BOLT	2				

As to the place changed, refer to the corresponding Rev.No.
 When previous parts(Obsoleted part)and new parts(Added parts)are
 not interchangeable with each other:
 In this case,even obsoleted parts(D.)can be ordered with the
 obsoleted part number,so select the parts with changed dates and
 place your orders.

変更箇所は、該当Rev.No.版をご参照ください。
 部品の互換性がない変更の場合は、削除された品番でも、ご注文できます。

No.1653-04 Rev.No.

*A:Added parts追加部品/D:Obsoleted parts削除部品/E:Erratum訂正

* Rev. No.	Page 頁	Ref. No.	Parts No. 品番	* Rev. No.	Page 頁	Ref. No.	Parts No. 品番
D 03	40	33	401-46844	A 04	40	33	401-63512
				A 04	40	49	401-63455
				A 04	40	50	BT-0600401-E0
				A 04	40	51	HX-0031400-0D
D 03	44	1	401-46848	A 04	44	1	401-62729
D 03	44	2	401-53236	A 04	44	2	401-62730
D 03	44	3	401-46807	A 04	44	3	401-62660
D 03	44	4	SS-8060210-TP	A 04	44	4	SS-1060210-TP
D 03	44	6	401-46813	A 04	44	6	401-62659
D 03	44	9	401-46816				
D 03	44	10	401-46817	A 04	44	10	401-62687
D 03	44	11	401-53233	A 04	44	11	401-62688
D 03	44	12	401-46821	A 04	44	9	401-62664
				A 04	44	12	WP-0510516-SD
D 03	44	13	SM-6850802-TN				
D 03	44	14	401-46845				
D 03	44	30	401-46849	A 04	44	30	401-62731
D 03	44	31	401-53222	A 04	44	31	401-62732
D 03	44	32	401-46822	A 04	44	32	401-62664
D 03	44	51	401-52556	A 04	44	51	401-62665
D 03	44	52	401-52555	A 04	44	52	401-63515
D 03	44	54	401-46818	A 04	44	54	401-58171
D 03	44	56	401-46814	A 04	44	56	401-58169
D 03	44	58	401-53194	A 04	44	13	401-57670
D 03	44	60	PA-1000401-A0	A 04	44	58	PA-1000402-A0
				A 04	44	59	BT-0400251-EB
				A 04	44	60	BT-0600401-E0
D 03	46	1	401-46852	A 04	46	1	401-63528
D 03	46	14	401-46811	A 04	46	14	401-63514
				A 04	46	20	WP-0370316-SD
D 03	48	1	PJ-0325260-01	A 04	48	1	PJ-0252000-04
D 03	48	2	400-03560	A 04	48	2	401-63610
D 03	48	3	PJ-3080652-02	A 04	48	3	PJ-3080852-02
D 03	48	4	PV-1202050-00	A 04	48	4	PV-1202060-00
D 03	48	5	PJ-3080600-03	A 04	48	5	PJ-3080800-03
D 03	48	8	F1012-003-0A0				

NUMERICAL INDEX OF PARTS

PART NO	PAGE	REF NO.	PART NO	PAGE	REF NO.	PART NO	PAGE	REF NO.
10108009	6	16	13545504	72	3	13889407	66	6
10502300	2	46	13545660	72	1	14101208	40	17
11072402	2	27	13545801	72	4	14103253	12	45
11155108	30	31	13546700	72	6	14103253	68	47
11155207	30	32	13547005	72	5	14103352	12	46
11158300	30	8	13547161	72	2	14103352	42	8
11158409	30	9	13548003	68	31	14103352	46	10
11158516	30	12	13548102	22	63	14103352	50	18
11158607	30	10	13548102	68	8	14103352	56	18
11159001	30	15	13548151	68	7	14103352	68	48
12258000	42	37	13548201	22	64	14103659	12	47
13508700	2	16	13548201	68	9	14103659	46	15
13508700	56	44	13548300	20	59	14103659	68	49
13509807	2	53	13548300	68	38	14103907	12	27
13518501	20	54	13548508	68	5	14104004	12	25
13518600	22	61	13548557	68	4	14104400	10	32
13518600	68	2	13548607	68	6	14105407	20	53
13518659	68	1	13548706	72	7	14109607	18	23
13518709	22	62	13554506	68	32	14109607	46	27
13518709	68	3	13554803	20	31	14109607	68	44
13529607	12	34	13554803	70	67	14113450	2	24
13533104	68	37	13561303	68	21	14113468	2	23
13540604	42	48	13561352	68	20	14115554	26	20
13540901	52	13	13561360	68	19	14116107	20	29
13540901	58	13	13561402	68	25	14116107	68	28
13540901	74	34	13561451	68	24	14116206	20	30
13541107	44	25	13562509	68	22	14116206	68	34
13541404	44	7	13562608	68	26	14116305	68	30
13541503	44	38	13571906	40	37	14116404	20	33
13541602	44	45	13571906	68	17	14116404	68	29
13542402	68	11	13571955	68	16	14116503	40	25
13542451	68	10	13572003	40	38	14116503	68	35
13542501	68	12	13572003	68	18	14116602	68	33
13542915	22	65	13573407	40	27	14116701	68	36
13542915	68	14	13573407	68	39	14116800	20	32
13542964	68	13	13705108	2	39	14116800	70	65
13543012	22	66	13786306	46	7	14116909	40	26
13543012	68	15	13810908	74	43	14116909	70	66
13543715	46	50	13811906	52	58	14118053	30	2
13543806	46	54	13811906	58	46	14118152	30	4
13543905	46	59	13812003	52	57	14118251	30	5
13544051	46	43	13812003	58	45	14120000	68	40
13544465	46	47	13812102	12	54	14120109	68	51
13544614	46	49	13812102	40	33	14120208	68	52
13544705	48	61	13817754	30	14	14120307	68	54

NUMERICAL INDEX OF PARTS

PART NO	PAGE	REF NO.	PART NO	PAGE	REF NO.	PART NO	PAGE	REF NO.
14120406	68	55	14146302	58	8	26037200	40	5
14120505	68	53	14146401	52	14	26204008	20	51
14121255	70	61	14146401	58	14	26204107	20	52
14121263	68	60	14146401	74	10	26211904	2	33
14121354	70	62	14146708	66	19	26218008	10	36
14121701	68	56	14146757	66	15	26218602	16	31
14121800	68	57	14146807	66	18	26221101	2	17
14121909	68	58	14146906	52	56	26221101	56	45
14122006	68	59	14146906	58	44	26221200	4	83
14135305	70	70	14148209	74	49	26222703	20	12
14137509	70	69	14148407	42	38	26223305	20	14
14137608	70	68	14148407	52	3	26223503	20	21
14137707	70	73	14148407	58	3	26224105	20	55
14137806	70	72	14148803	66	24	26224204	20	58
14137905	70	75	14148852	66	21	26224808	20	43
14138002	70	74	14148902	66	29	26224808	46	57
14140206	44	35	14148951	66	27	26226209	10	13
14140255	44	6	14149009	52	19	26229302	46	42
14140354	44	18	14149058	52	15	26260109	4	62
14140552	44	26	14149108	52	25	26260208	4	63
14140750	44	33	14149157	52	21	26260307	4	69
14140909	44	22	14149603	72	18	26260505	4	73
14141055	44	13	16121907	64	25	26260604	4	75
14141105	44	15	17007402	30	11	26260703	4	77
14141204	44	31	17848458	66	11	26260802	2	59
14141402	44	19	22901409	4	81	26260901	4	64
14141402	52	36	22901805	2	47	26261008	4	65
14141402	58	24	22902506	2	11	26261107	4	66
14141402	74	7	22920508	2	37	26261206	4	72
14141501	44	36	22921506	16	30	26261305	4	70
14141758	42	32	22921605	16	40	26261503	4	78
14142103	42	46	22928808	16	29	26261602	4	60
14143002	46	13	22928808	52	54	26261701	4	61
14145106	52	1	22928808	58	42	26500306	8	61
14145106	58	1	22932800	40	2	26501502	20	9
14145650	52	5	22933105	40	23	26501858	12	24
14145858	52	4	22933204	40	24	40004254	10	5
14146054	74	1	23517501	18	44	40005390	36	15
14146104	52	6	23517600	18	45	40005390	38	8
14146104	58	6	23517709	18	46	40005712	46	12
14146104	74	6	23517808	18	47	40005728	38	15
14146203	52	7	23630007	12	33	40005728	42	2
14146203	58	7	23638109	26	8	40005732	26	3
14146203	74	5	23638208	26	10	40005732	38	20
14146302	52	8	23638406	26	11	40005734	26	12

NUMERICAL INDEX OF PARTS

PART NO	PAGE	REF NO.	PART NO	PAGE	REF NO.	PART NO	PAGE	REF NO.
40006323	40	13	40006840	14	64	40010478	16	39
40006475	2	1	40006912	38	16	40010479	16	8
40006478	2	3	40006912	42	31	40010482	16	11
40006481	2	10	40006913	42	35	40010486	16	15
40006484	40	3	40006914	42	44	40010487	16	17
40006485	66	5	40006935	44	1	40010489	16	22
40006487	2	7	40006935	52	2	40010490	16	20
40006488	2	8	40006935	58	2	40010492	16	12
40006495	26	6	40006937	50	50	40010495	16	13
40006495	38	18	40006937	56	26	40010497	16	21
40006496	26	7	40008693	10	27	40010498	16	23
40006497	26	9	40009290	2	21	40010500	16	25
40006515	6	55	40009860	50	53	40010503	16	27
40006516	6	44	40009860	56	29	40010504	16	28
40006525	42	39	40010103	74	50	40010508	16	32
40006525	46	3	40010404	2	5	40010509	16	44
40006525	50	54	40010405	2	13	40010510	16	33
40006525	56	30	40010414	2	31	40010511	16	34
40006575	12	37	40010417	6	3	40010512	16	35
40006577	12	28	40010424	6	21	40010513	16	36
40006578	12	15	40010424	50	3	40010514	16	37
40006617	16	5	40010424	56	3	40010515	16	38
40006622	16	26	40010425	6	22	40010521	16	41
40006625	16	4	40010425	50	4	40010522	16	42
40006661	10	8	40010425	56	4	40010523	16	43
40006665	10	20	40010426	6	23	40010525	18	12
40006666	10	14	40010426	50	5	40010526	18	16
40006671	10	24	40010426	56	5	40010527	24	25
40006678	10	46	40010439	8	65	40010536	20	7
40006712	18	6	40010440	8	66	40010570	22	71
40006716	10	9	40010443	10	16	40010571	2	35
40006716	18	9	40010450	10	31	40010574	6	50
40006717	18	11	40010451	10	37	40010575	12	13
40006737	20	24	40010455	10	39	40010589	62	9
40006738	20	17	40010457	10	40	40010590	24	10
40006739	20	25	40010458	10	41	40010879	12	52
40006740	20	22	40010460	10	34	40011152	24	27
40006761	24	22	40010464	12	6	40011152	62	23
40006762	62	3	40010467	12	7	40011511	12	51
40006765	62	4	40010469	12	8	40011512	12	48
40006776	24	29	40010470	6	38	40011949	42	3
40006776	62	25	40010470	14	71	40011949	50	17
40006780	24	11	40010471	12	18	40011949	56	17
40006781	62	12	40010475	12	57	40012127	12	2
40006836	14	65	40010477	16	6	40012815	24	19

NUMERICAL INDEX OF PARTS

PART NO	PAGE	REF NO.	PART NO	PAGE	REF NO.	PART NO	PAGE	REF NO.
40012815	62	19	40033635	66	12	40105465	32	15
40013721	12	4	40036110	40	12	40105465	38	26
40013967	16	45	40039013	20	41	40110812	8	64
40014963	12	49	40040256	10	6	40110813	8	67
40014965	14	68	40040256	18	4	40110825	6	7
40015800	24	5	40042134	36	7	40110827	12	59
40015800	62	5	40048536	40	1	40110830	12	10
40016194	40	32	40051987	40	4	40110841	6	25
40016195	40	11	40052810	66	7	40110841	50	7
40017202	10	42	40076232	24	16	40110841	56	7
40021851	70	76	40076233	24	3	40110842	6	26
40021852	70	78	40076236	24	12	40110842	50	8
40021853	70	77	40076237	24	9	40110842	56	8
40021854	70	79	40076238	24	4	40110844	40	22
40021855	70	80	40076239	24	14	40110846	14	66
40021856	70	81	40083882	10	26	40110846	42	9
40021857	70	82	40083883	20	36	40110846	46	16
40021858	70	83	40083884	20	48	40110846	50	19
40021859	70	84	40083885	20	45	40110846	56	19
40021869	70	91	40085784	28	2	40110856	12	38
40021870	70	89	40085785	28	3	40111214	32	17
40021871	70	92	40085786	28	4	40111214	38	14
40021872	70	90	40085787	28	5	40112990	6	6
40021873	70	85	40085788	28	6	40112993	6	11
40021874	70	93	40085789	28	7	40112994	12	11
40021875	70	96	40085790	28	8	40112995	14	67
40021876	70	86	40085791	28	9	40112995	46	17
40021877	70	94	40085792	28	10	40113427	36	10
40021878	70	97	40085793	28	11	40113427	38	11
40021879	70	87	40085794	28	12	40114136	32	49
40021880	70	95	40085795	28	13	40114373	32	53
40021881	70	98	40085796	28	16	40114373	38	28
40021882	70	88	40089365	12	19	40114375	32	54
40023371	36	16	40089982	46	51	40114375	38	29
40023371	38	9	40090010	46	52	40114398	32	16
40023635	60	20	40090011	46	46	40115874	32	7
40023831	10	11	40090012	46	41	40115876	32	9
40026818	6	14	40090058	6	47	40115877	32	10
40030828	2	29	40096325	28	14	40115878	32	11
40030939	6	12	40096326	28	17	40115879	32	12
40030942	24	17	40096327	28	19	40136292	6	39
40030942	62	17	40096354	28	1	40136293	6	41
40030943	24	15	40102261	2	45	40137360	32	13
40033047	50	51	40103154	22	68	40137360	38	1
40033047	56	27	40103155	22	67	40137370	26	16

NUMERICAL INDEX OF PARTS

PART NO	PAGE	REF NO.	PART NO	PAGE	REF NO.	PART NO	PAGE	REF NO.
40137370	38	21	40142697	56	12	40142807	56	15
40138137	6	37	40142701	6	29	40142812	4	79
40138137	38	13	40142701	50	11	40143093	30	1
40139091	64	8	40142701	56	11	40143988	32	36
40139176	20	1	40142704	8	68	40143989	32	48
40139176	38	22	40142705	6	48	40143990	32	8
40139177	20	5	40142706	6	49	40144258	4	85
40139177	38	23	40142719	12	35	40144511	34	62
40139178	10	1	40142720	18	18	40144696	6	42
40139178	38	24	40142720	42	10	40144697	6	40
40139179	24	30	40142720	46	18	40144886	38	34
40139179	38	25	40142721	18	19	40145901	32	35
40139179	62	26	40142721	46	19	40145901	38	27
40141487	32	52	40142722	18	20	40146292	36	18
40141487	38	12	40142723	50	20	40146292	38	33
40141488	32	50	40142724	50	21	40146295	32	51
40141488	38	5	40142725	18	26	40146295	38	6
40142267	32	46	40142725	42	14	40146296	36	3
40142267	38	2	40142725	46	29	40146296	38	4
40142272	36	1	40142725	50	29	40146806	60	5
40142272	38	3	40142728	18	1	40146809	60	25
40142273	16	1	40142729	20	3	40146812	58	9
40142273	38	17	40142731	20	11	40146824	60	26
40142663	32	1	40142733	20	19	40146825	60	27
40142664	32	2	40142734	20	39	40146826	60	22
40142665	32	3	40142735	20	27	40146827	60	19
40142674	2	15	40142736	20	42	40146828	58	39
40142675	2	20	40142737	24	1	40146831	58	37
40142677	2	18	40142738	62	21	40146831	66	47
40142677	56	42	40142739	24	26	40146832	56	40
40142678	6	1	40142739	62	22	40146833	56	41
40142681	6	57	40142740	2	56	40146835	56	47
40142685	6	2	40142747	26	5	40146836	62	11
40142686	6	4	40142747	38	19	40146837	62	15
40142687	12	55	40142773	4	71	40146838	62	10
40142688	12	56	40142785	50	1	40146839	64	12
40142689	6	19	40142785	56	1	40146850	58	4
40142691	6	20	40142786	50	10	40146853	56	34
40142691	50	2	40142786	56	10	40150131	32	43
40142691	56	2	40142787	50	13	40151278	66	43
40142692	6	28	40142787	56	13	40151279	66	44
40142693	6	31	40142790	50	14	40152920	32	14
40142696	6	32	40142790	56	14	40152920	38	35
40142697	6	30	40142806	6	33	40152933	36	17
40142697	50	12	40142807	50	15	40152933	38	32

NUMERICAL INDEX OF PARTS

PART NO	PAGE	REF NO.	PART NO	PAGE	REF NO.	PART NO	PAGE	REF NO.
40153140	32	4	B1111210D00	40	28	B2418280000	50	34
40153141	32	5	B1114581000	46	1	B2418280000	60	40
40153142	32	6	B1129210000	2	41	B24212800A0	18	41
40153194	38	39	B1144210000	8	60	B24212800A0	42	29
40153195	38	40	B1212210D00	6	59	B24212800A0	46	39
40153195	60	14	B1411552000	8	69	B24212800A0	50	33
40153196	38	37	B1414232000	20	15	B24212800A0	60	34
40153196	64	13	B141423200A	20	46	B2423280000	60	7
40153197	38	38	B141423200B	20	47	B242328000A	18	37
40153197	64	14	B1657506E00	42	47	B242328000A	42	25
40153212	56	36	B1806210D00	14	70	B242328000A	46	21
40153213	56	37	B1815210000	12	43	B242328000A	50	23
40153214	66	34	B1816280000	46	45	B242328000A	60	35
40153215	66	35	B1817210DAD	68	50	B242328000B	18	38
40153216	66	33	B1820210D00	12	20	B242328000B	42	26
40153218	58	51	B1821210D00	12	21	B242328000B	46	22
40153218	66	39	B1822215P00	12	22	B242328000B	50	24
40153219	58	52	B1828210DAA	14	69	B242328000B	60	36
40153234	58	54	B18289800BB	12	53	B242328000C	18	36
40153235	58	53	B185351200E	50	48	B242328000C	42	24
40153246	64	22	B185351200E	56	24	B242328000C	46	20
40153248	64	23	B2406372000	74	25	B242328000C	50	25
40156963	56	48	B24142800A0	18	32	B242328000C	60	37
40157670	60	13	B24142800A0	42	20	B242328000D	18	39
40158169	60	56	B24142800A0	46	35	B242328000D	42	27
40158171	60	54	B24142800A0	50	37	B242328000D	46	23
40162659	60	6	B24142800A0	60	43	B242328000D	50	26
40162660	60	3	B24152800A0	18	31	B242328000D	60	38
40162662	60	9	B24152800A0	42	19	B242328000E	18	40
40162664	60	32	B24152800A0	46	34	B242328000E	42	28
40162665	60	51	B24152800A0	50	36	B242328000E	46	24
40162687	60	10	B24152800A0	60	42	B242328000E	50	27
40162688	60	11	B2416280000	18	30	B242328000E	60	39
40162729	60	1	B2416280000	42	18	B2424280000	18	27
40162730	60	2	B2416280000	46	33	B2424280000	42	15
40162731	60	30	B2416280000	50	35	B2424280000	46	30
40162732	60	31	B2416280000	60	41	B2424280000	50	32
40163455	56	49	B2417280000	18	21	B2424280000	60	33
40163512	56	33	B2417280000	42	11	B2426280000	18	22
40163514	62	14	B2417280000	46	25	B2426280000	42	12
40163515	60	52	B2417280000	50	38	B2426280000	46	26
40163528	62	1	B2417280000	60	44	B2426280000	68	42
40163610	64	2	B2418280000	18	29	B242628000B	68	43
A123050000A	8	63	B2418280000	42	17	B2509704000	20	18
A4078009000	14	75	B2418280000	46	32	B2548372000	52	37

NUMERICAL INDEX OF PARTS

PART NO	PAGE	REF NO.	PART NO	PAGE	REF NO.	PART NO	PAGE	REF NO.
B2548372000	58	25	D2511232D00	44	17	HN00149000A	36	22
B2549280000	46	56	D2512232D00	44	16	HN002460000	36	19
B2549372000	52	38	D2515232D00	44	23	HN002840000	36	21
B2549372000	58	26	D2520232DA0	44	28	HX00150000B	14	61
B2552372000	52	9	D2521232DA0	44	29	HX00150000D	12	1
B2553372000	52	39	D2527232D00	44	42	HX00150000F	66	40
B2553372000	58	27	D2527232D00	52	55	HX00150000H	66	49
B2560372000	52	40	D2527232D00	58	43	HX00150000K	26	17
B2560372000	58	28	D2528232D00	44	43	HX00150000N	66	41
B2619372000	50	47	D2529232D00	44	44	HX00222000D	32	20
B2619372000	56	23	D2545232D0A	44	10	HX00292000A	32	21
B302745000B	42	49	D2545232D0B	44	11	HX00314000D	56	51
B3117352000	44	41	D2545232D0C	44	12	HX00339000M	32	22
B3126012000	2	25	D2548232D00	52	49	KX000000260	32	19
B8101210AAB	30	6	D2548232D00	58	5	KX000000320	32	18
B8105210AAA	30	7	D2548232D00	74	35	KX000000380	26	4
B81085550A0	30	27	D3130M1YC00	52	35	M300451100A	32	60
B8153771000	30	16	D3130M1YC00	58	23	M300451100A	36	4
B8202205000	40	20	D7133555B00	2	26	M8002430000	32	34
B9121012000	40	19	D8113555B00	30	17	M90135900A0	36	13
B91212200A0	40	18	D8204555D00	30	33	M90175800A0	36	14
BT0400251EB	60	59	E8760452S00	32	45	M90175800A0	38	7
BT0400251EB	64	11	EA9500B0100	12	14	MAO11532000	36	8
BT0600401E0	56	50	EA9500B0100	26	14	MAZ15502000	52	50
BT0600401E0	60	60	EA9500B0100	32	44	MAZ15507000	52	16
BT0600401EB	64	21	EA9500B0100	64	27	MAZ15507000	66	22
BT0800501EB	64	18	EA9500B0100	66	50	MAZ15508000	52	22
BT1200801EF	64	24	EA9500B0200	26	2	MAZ15508000	66	28
CM100100001	4	82	GAF01007000	6	18	MAZ15509000	52	17
CM300100001	32	39	GPF060600A0	30	19	MAZ15509000	66	23
CM300100402	32	41	GPF06080000	30	18	MAZ15510000	52	23
CM300200001	4	80	GPK570010B0	36	12	MAZ15510000	66	31
CM300200002	2	43	HA004250000	36	9	MAZ15513000	52	10
CM300400602	32	40	HA004250000	38	10	MAZ15513000	58	10
CM600100101	32	42	HD00057000A	10	18	MAZ15514000	52	11
CM600100101	36	23	HD00057000A	38	31	MAZ15514000	58	11
CQ200000000	12	31	HD002230000	18	14	MAZ15514000	74	33
CS0640811SP	74	20	HD002230000	38	30	MAZ15515000	52	12
D1401M1YC0A	74	41	HF0013050P0	32	58	MAZ15515000	58	12
D1405L7AM00	6	51	HF0013050P0	36	6	MAZ15515000	74	9
D1405L7AM00	46	4	HF003000200	32	59	MAZ15516000	52	60
D2113555B00	64	10	HF003000200	36	5	MAZ15516000	58	48
D2426282C00	18	24	HK03461004A	42	33	MAZ15601000	50	31
D2426282C00	68	45	HK034640000	42	34	MAZ15602000	52	51
D2426MMCK00	68	46	HN001490000	36	20	MAZ15701000	72	8

NUMERICAL INDEX OF PARTS

PART NO	PAGE	REF NO.	PART NO	PAGE	REF NO.	PART NO	PAGE	REF NO.
MAZ15702000	72	9	MDP500B1100	6	52	RC0470611KP	10	44
MAZ157070AB	72	11	MDP500B1102	40	31	RC0470611KP	50	44
MAZ157070BB	72	10	MDP500B1400	6	53	RC0470611KP	56	21
MAZ157080AB	72	15	MDP500B1400	42	1	RC0560711KP	2	57
MAZ157080BB	72	14	MDP500B1400	46	5	RE0200000K0	24	7
MAZ15709000	72	12	MDP500B1402	40	29	RE0200000K0	62	7
MAZ15710000	72	16	MDP500B1402	66	1	RE0300000K0	6	34
MAZ15801000	50	30	MDP500B1602	66	2	RE0300000K0	12	23
MAZ158070AB	52	28	MTQ300B1400	74	48	RE0300000K0	50	16
MAZ158070AB	58	16	MTSHJ100003	34	61	RE0300000K0	56	16
MAZ158070BB	52	27	NM6030001SC	16	24	RE0300000K0	60	21
MAZ158070BB	58	15	NM6030003SC	24	2	RE0400000K0	2	58
MAZ158080AB	52	32	NM6040000SN	2	36	RE0700000K0	44	20
MAZ158080AB	58	20	NM6040001SP	10	7	RE0700000K0	52	47
MAZ158080BB	52	31	NM6040001SP	18	5	RE0700000K0	58	35
MAZ158080BB	58	19	NM6040003SC	16	18	RE0700000K0	74	8
MAZ15809000	52	29	NM6050001SE	28	24	RE0800000K0	6	17
MAZ15809000	58	17	NM6050001SP	10	22	RE0900000K0	16	3
MAZ15810000	52	33	NM6050001SP	18	8	SB110002400	10	3
MAZ15810000	58	21	NM6060001CP	10	30	SB110002400	12	9
MAZ16002000	74	27	NM6060001SC	40	35	SB3080010CA	12	39
MAZ1600300A	74	28	NM6060003SC	10	43	SB3080010CB	12	40
MAZ16004000	74	15	NM6080002SC	32	57	SB3080010CC	12	41
MAZ16005000	74	18	NM6080721SE	30	26	SB3080010CD	12	42
MAZ16009000	74	24	NM6120001SE	30	28	SD0350156TP	24	32
MAZ160090A0	74	23	NS6110310SP	2	28	SD0350156TP	62	28
MAZ16010000	74	22	NS6110530SP	44	14	SD0400266TP	24	8
MAZ16011000	74	13	NS6120480SP	44	32	SD0400266TP	62	8
MAZ16012000	74	3	NS6150310SP	52	46	SD0500091TP	18	42
MAZ16013000	74	4	NS6150310SP	58	34	SD0500091TP	42	30
MAZ16014000	74	11	NS6150310SP	74	36	SD0500091TP	46	40
MAZ16015000	74	45	PA1000402A0	60	58	SD0500091TP	50	40
MAZ160170A0	74	42	PA1000601A0	60	16	SD0500091TP	60	46
MAZ16021000	74	47	PD02010000B	42	6	SD0500166TP	60	23
MAZ16022000	74	39	PJ025200004	64	1	SD0550181SP	52	42
MAZ16023000	74	40	PJ046039001	60	18	SD0550181SP	58	30
MDP170B1100	56	46	PJ210006100	64	7	SD0550271TP	44	30
MDP170B1102	66	48	PJ301060003	64	26	SD0550301SP	52	43
MDP170B1400	50	55	PJ308080003	64	19	SD0550301SP	58	31
MDP170B1400	56	31	PJ308085202	64	3	SD0600206TP	10	35
MDP170B1402	66	4	PS0400142KH	8	62	SD0600207TP	60	57
MDP170B2100	6	54	PV120205000	38	36	SD0600326TP	60	29
MDP170B2100	46	6	PV120206000	64	4	SD0640216TP	10	45
MDP170B2102	40	30	PV1502060A0	64	6	SD0640216TP	50	45
MDP170B2102	66	3	RC0410415KP	42	43	SD0640216TP	56	22

NUMERICAL INDEX OF PARTS

PART NO	PAGE	REF NO.	PART NO	PAGE	REF NO.	PART NO	PAGE	REF NO.
SD0640321TP	74	46	SM2360110TP	62	2	SM6030800SP	56	35
SD0640391TP	52	41	SM3030552TN	2	19	SM6031602TP	60	17
SD0640391TP	58	29	SM3030552TN	56	43	SM6040502TP	12	3
SD0700406TP	10	23	SM3061052TP	20	34	SM6040602TP	16	14
SD0790606TP	10	29	SM3061052TP	46	14	SM6040650TP	2	40
SD0791276TP	50	49	SM4020600SP	24	18	SM6040650TP	12	36
SD0791276TP	56	25	SM4020600SP	62	18	SM6040650TP	14	63
SD0800327TP	10	21	SM4021201SC	26	13	SM6040650TP	20	23
SD0800327TP	18	7	SM4030455SP	12	29	SM6040650TP	24	21
SD0800407TP	24	28	SM4030601SN	2	44	SM6040650TP	62	29
SD0800407TP	62	24	SM4030855SN	2	30	SM6040802TP	10	17
SD1000406TP	10	33	SM4040655SP	40	6	SM6040802TP	16	9
SD1201506TP	42	5	SM4040655SP	66	45	SM6040802TP	18	13
SK3311601SE	30	34	SM4040855SP	10	47	SM6040802TP	20	40
SK3311601SE	40	21	SM4040855SP	18	17	SM6040860TP	2	42
SK3382001SE	36	2	SM4040855SP	26	21	SM6041050TP	16	16
SK3412001SE	66	14	SM4040855SP	40	7	SM6041150TP	2	52
SK3512001SE	36	11	SM4041055SP	2	12	SM6041150TP	20	8
SL4030681SC	42	7	SM4041655SP	20	6	SM6041150TP	66	9
SL4030881SC	32	38	SM4042055SP	20	37	SM6041202TP	24	31
SL4030881SC	42	36	SM4050855SP	2	6	SM6041202TP	62	27
SL4031291SC	10	19	SM4050855SP	26	15	SM6051602TP	10	2
SL4040681SC	16	46	SM4051405SE	28	23	SM6060550TP	6	13
SL4040881SC	32	37	SM4061255SP	2	34	SM6061202TP	44	4
SL4040881SF	26	19	SM4061255SP	42	40	SM6061202TP	66	13
SL4040891SC	12	60	SM4061255SP	46	2	SM6061802TP	10	28
SL4040891SC	14	62	SM5030501SC	20	28	SM6061802TP	22	69
SL4041091SC	66	42	SM5040655SN	4	67	SM6061802TP	42	42
SL4041281SC	32	33	SM5040855SN	2	2	SM6061802TP	50	56
SL4041291SC	18	15	SM5040855SN	4	84	SM6061802TP	56	32
SL4042091SC	32	32	SM5040855SN	44	46	SM6066002TN	40	34
SL6040892TN	2	14	SM5040855SN	52	59	SM6083002TN	40	9
SL6040892TN	42	50	SM5040855SN	58	47	SM7030550TP	6	35
SL6040892TN	74	51	SM6020250TP	56	39	SM8030412TP	16	7
SL6052592TN	6	56	SM6020350SP	24	13	SM8030412TP	58	38
SL9082091SE	30	13	SM6020350SP	62	13	SM8040302TP	68	41
SM1030601SP	6	8	SM6020450TP	24	23	SM8040302TP	70	71
SM1040650TP	18	43	SM6020450TP	62	16	SM8040310SS	6	45
SM1040650TP	20	26	SM6020460TP	12	44	SM8040802TP	4	76
SM1040650TP	42	45	SM6020460TP	56	38	SM8050402TP	10	15
SM1040650TP	46	11	SM6030500SN	42	41	SM8050502TP	4	74
SM1040650TP	50	46	SM6030500SN	46	8	SM8050512TP	20	49
SM1040650TP	60	55	SM6030500SN	50	43	SM8050592TP	18	2
SM1040950TP	58	55	SM6030500SN	56	20	SM80506A2TP	6	43
SM2360110TP	24	20	SM6030650TP	60	15	SM80506A2TP	50	9

NUMERICAL INDEX OF PARTS

PART NO	PAGE	REF NO.	PART NO	PAGE	REF NO.	PART NO	PAGE	REF NO.
SM80506A2TP	56	9	SS7090410SP	18	28	TA1250406R0	2	51
SM8060602TP	20	10	SS7090410SP	42	16	TA1470704R0	4	86
SM8060612TP	2	22	SS7090410SP	46	31	TA1550902R0	2	54
SM8060612TP	12	12	SS7090410SP	50	22	TA2100904R0	2	55
SM8060612TP	20	20	SS7090410SP	52	34	TA2100904R0	4	87
SM8060612TP	46	53	SS7090410SP	58	22	WP0320500SC	24	6
SM80606A2TP	16	47	SS7090410SP	60	49	WP0320500SC	62	6
SM8060812TP	6	15	SS7090410SP	66	30	WP0370316SD	62	20
SM8060812TP	10	10	SS7090410SP	72	17	WP0370316SD	66	37
SM8060812TP	12	17	SS7090510SP	74	19	WP0420516KH	60	28
SM8060812TP	18	10	SS7090610SP	44	37	WP0430800SC	32	47
SM8060812TP	20	16	SS7110510SP	44	24	WP0430800SC	66	46
SM80608A2TP	6	58	SS7110710SP	70	64	WP0450801SD	16	10
SM8061010TP	12	16	SS7110740TP	18	35	WP0450801SD	40	8
SM8061050TP	14	72	SS7110740TP	20	57	WP0450801SD	66	10
SM8480652TP	6	10	SS7110740TP	42	23	WP0450801SP	10	49
SM8480652TP	14	74	SS7110740TP	46	58	WP0450801SP	18	3
SM8480662TP	20	4	SS7110740TP	50	41	WP0450801SP	20	50
SM9061203SE	30	20	SS7110740TP	60	47	WP0450826SC	4	68
SM9061403CP	44	2	SS7110740TP	74	26	WP0450846SP	18	34
SM9082023SE	30	23	SS7120910TP	46	48	WP0450846SP	42	22
SS1060210TP	18	25	SS7151210SP	46	55	WP0450846SP	46	37
SS1060210TP	42	13	SS8080310TP	20	60	WP0450846SP	50	28
SS1060210TP	46	28	SS8110410TP	74	21	WP0450846SP	60	50
SS1060210TP	50	39	SS8150510TP	20	44	WP0451026SH	60	24
SS1060210TP	60	53	SS8150822TP	46	44	WP0482086SD	74	31
SS1110640TP	44	27	SS9090813TP	66	36	WP0501016SD	44	40
SS1110640TP	68	27	SS9110460CP	44	39	WP0501016SD	52	53
SS2060310SP	52	26	SS9110460CP	52	45	WP0501016SD	58	41
SS2060310SP	66	32	SS9110460CP	58	33	WP0501016SD	74	32
SS2110930SP	20	56	SS9110460CP	74	37	WP0510516SD	60	12
SS5060310SP	50	52	SS9110543CP	52	52	WP0531001SC	28	22
SS5060310SP	56	28	SS9110543CP	58	40	WP0612516SD	44	9
SS6080340SP	66	38	SS9110920CP	44	21	WP0612516SD	54	62
SS6090612TP	74	44	SS9111010SP	74	30	WP0612516SD	58	50
SS6090670TP	6	46	SS9151120CP	44	8	WP0621016SD	20	35
SS6110430TP	18	33	SS9151120CP	54	61	WP0621016SD	22	70
SS6110430TP	42	21	SS9151120CP	58	49	WP0621016SD	46	9
SS6110430TP	46	36	SS9621413SP	52	44	WP0651056SH	42	4
SS6110430TP	50	42	SS9621413SP	58	32	WP0651646SC	40	36
SS6110430TP	60	48	SS9621413SP	74	38	WP0671016SE	30	21
SS6110480SP	74	29	ST9053511SR	30	3	WP0820516SP	6	24
SS6111052TP	74	16	TA0750704R0	2	48	WP0820516SP	50	6
SS6120940SP	46	60	TA0850604R0	2	49	WP0820516SP	56	6
SS6121212TP	12	50	TA1050504R0	2	50	WP0852086SC	32	55

NUMERICAL INDEX OF PARTS

PART NO	PAGE	REF NO.
WP0871602SE	30	24
WP1302501SE	30	29
WP1612616SE	28	15
WS0451040KP	70	63
WS0510002KN	28	21
WS0610002KN	40	10
WS0621210KR	30	22
WS0820002KR	32	56
WS0861410KR	30	25
WS1253010KN	30	30